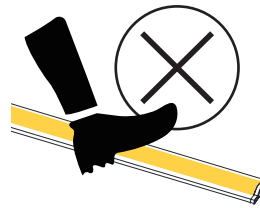
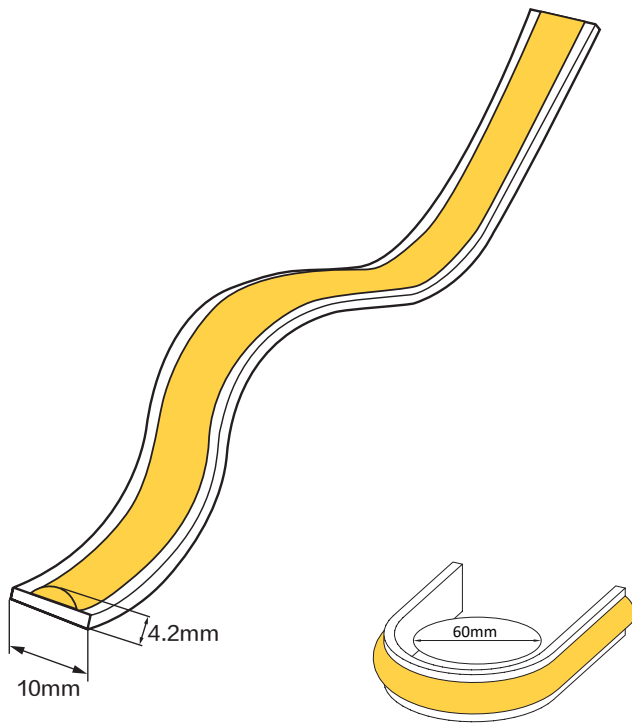
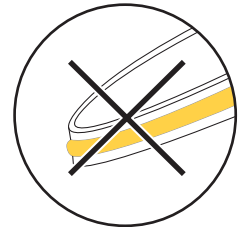


# LEDLINE APO 10 USER INSTRUCTION



Prohibit trample



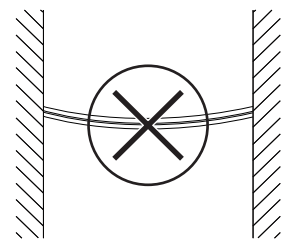
Small Angle bending is prohibited



Do not twist the light



Do not suspend the power cable



Do not leave the light hanging in the air

1. The most suitable operation temperature shall be  $-40^{\circ}\text{C}$  to  $45^{\circ}\text{C}$ .

2. Please make sure that even during installation, the predetermined bending direction will never change. The product is TOP bending only, and it can't be twisted or side bending.

3. LEDLINE APO 10 shall not be bent sharply or it may cause product damage.

4. The minimum bending diameter is 60mm, over bending will damage and void any warranty

5. During the installation, LEDLINE APO 10 can not be:

- Twisted
- Dropped
- Bent at a  $90^{\circ}$  angle or bent at all
- Sagging/Hanging down

6. For installation, 3ways for your selection:

- Back tape
- Mounting clips
- Aluminum profile

7. Please do not connect the LED strip beyond the maximum connecting length.

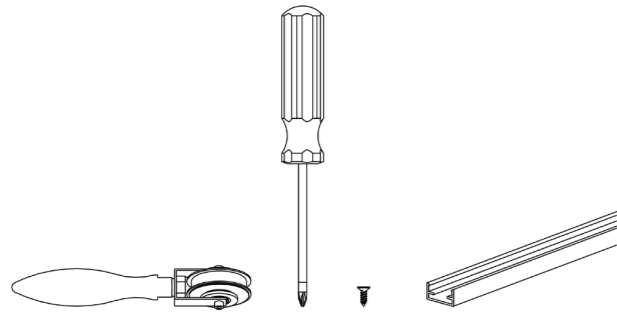
8. If LED strips are equipped with a self-adhesive tape for attaching the LED strip to suitable materials, such as aluminum profiles, which must be clean and free of oil or silicone coatings, as well as other dirt/dust particles. The adhesive tape is intended for single use and if removed may damage the material to which it is stuck and the LED module itself, which must then be scrapped.

## Warranty:

- All LED strip are warranted to be free from defects in product itself from the date of purchase.
- Within this period, we, at its sole option, repair or replace any components which fail from correct use. Such repairs or replacement will be made at no charge to the customer for parts only, provided that the customer shall be responsible for transportation cost of the goods.
- This warranty does not cover failures due to abuse, misuse, improper handling, act of nature, negligence, normal wear, accidental damage, modifications or repairs made by the purchaser or incorrect voltage conditions.

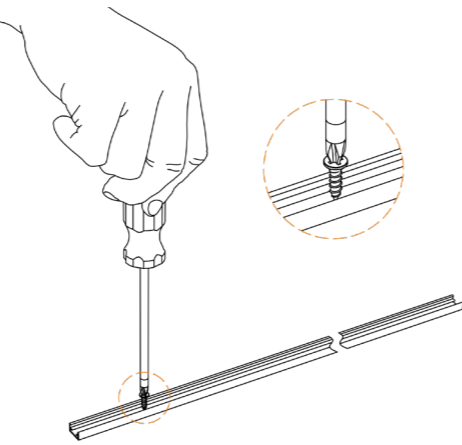
## Surface-mounted Profile: AC107-AP-SA

Step1



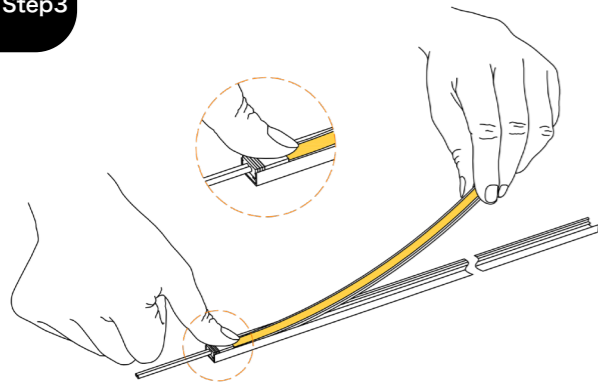
**Preparation:** Gather all tools and materials.

Step2



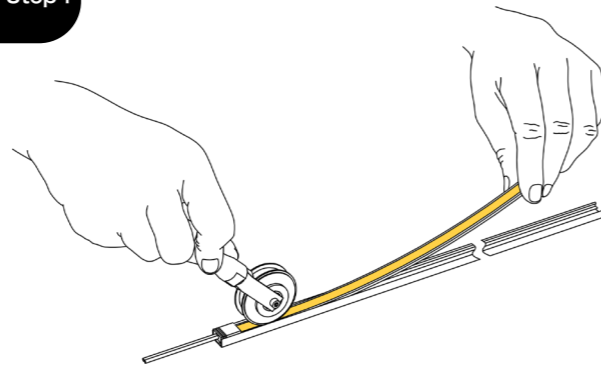
Use screws to secure the profile to the needed installation surface.

Step3

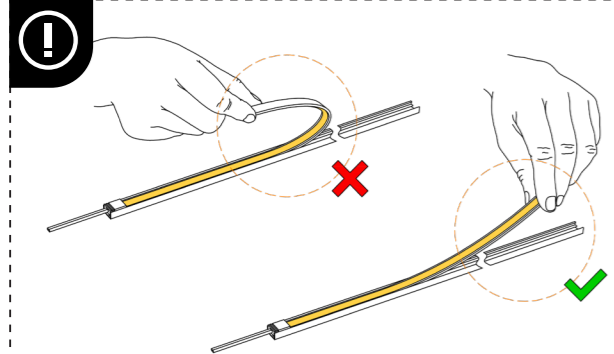


Install the LED strip into the profile. Use your thumb to first fix the starting end of the strip (with wires).

Step4



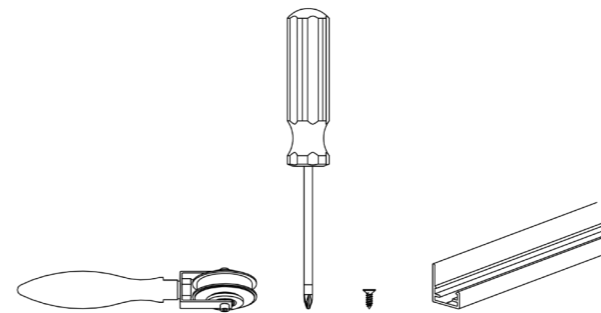
Use the roller (AF002-1) to gradually secure the LED strip into the profile.



- 1、 When removing the LED strip from profile, avoid pulling it out directly.
- 2、 The LED strip must not have adhesive backing when using profiles installation method.

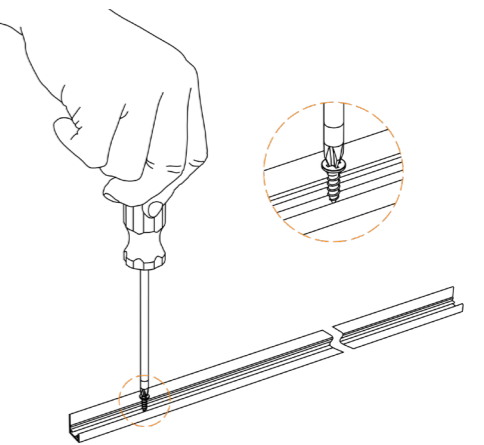
## Baffle Profile: AC107-AP-BA

Step1



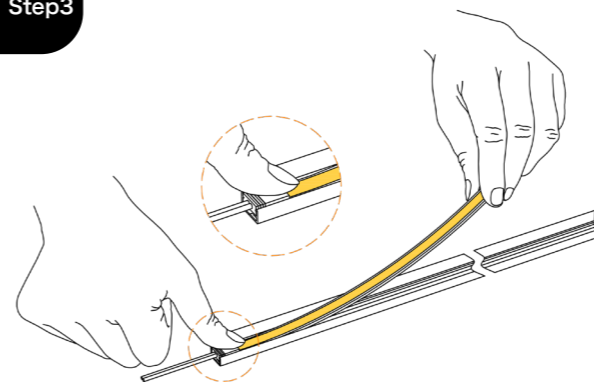
**Preparation:** Gather all tools and materials.

Step2



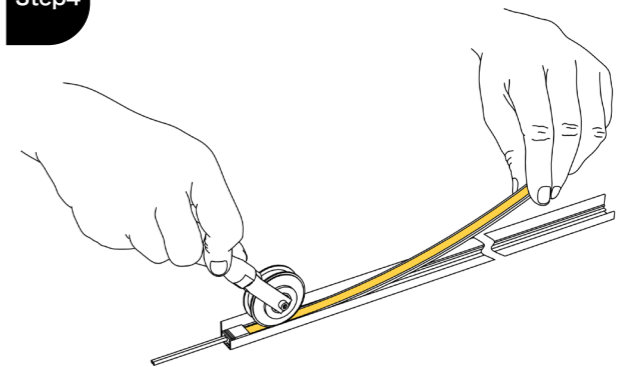
Use screws to secure the profile to the needed installation surface.

Step3

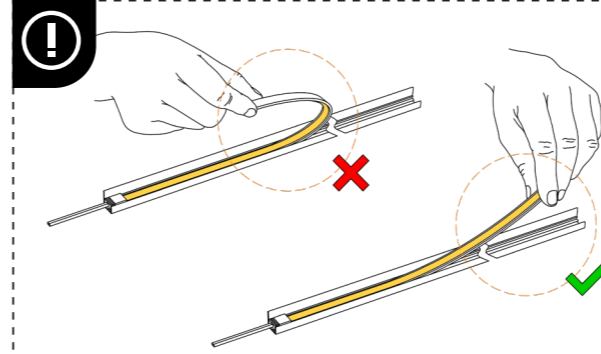


Install the LED strip into the profile. Use your thumb to first fix the starting end of the strip (with wires).

Step4



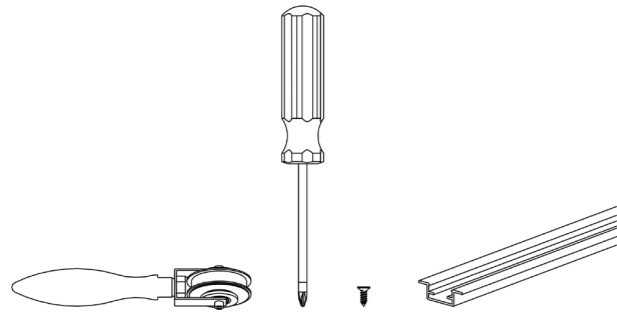
Use the roller (AF002-1) to gradually secure the LED strip into the profile.



- 1、 When removing the LED strip from profile, avoid pulling it out directly.
- 2、 The LED strip must not have adhesive backing when using profiles installation method.

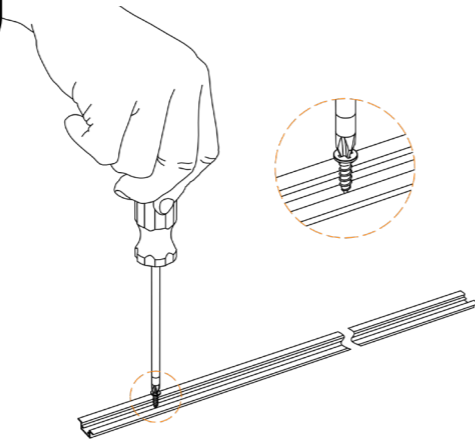
## Embedded Profile: AC107-AP-EA

Step1



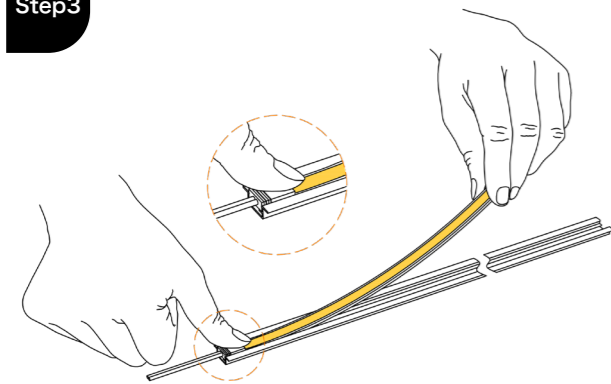
Crave a groove on the installation surface (e.g., wood or wall) with the exact dimensions of the profile.

Step2



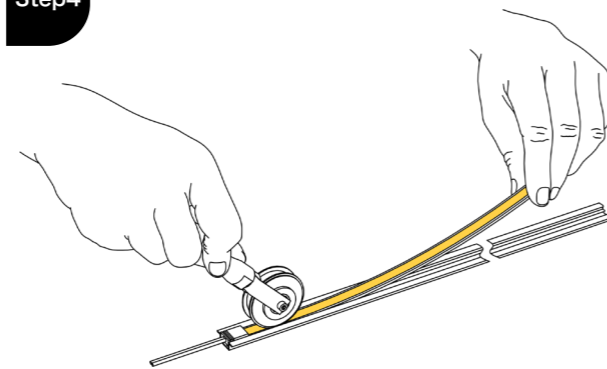
Use screws to secure the profile to the grooved installation surface.

Step3

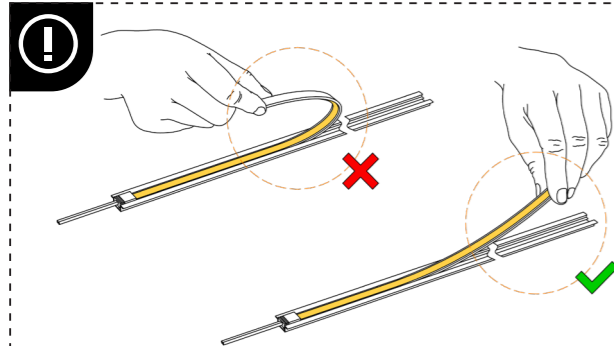


Install the LED strip into the profile. Use your thumb to first fix the starting end of the strip (with wires).

Step4



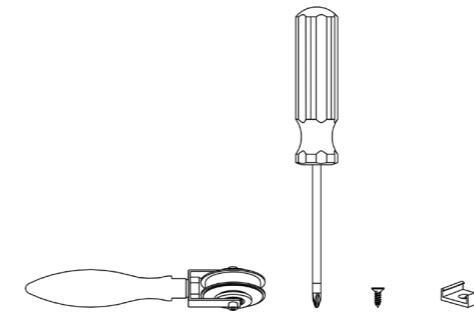
Use the roller(AF002-1) to gradually secure the LED strip into the profile.



- 1、 When removing the LED strip from profile, avoid pulling it out directly.
- 2、 The LED strip must not have adhesive backing when using profiles installation method.

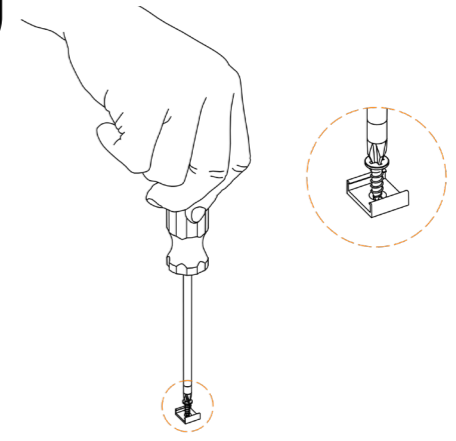
## Clip: AC085-10

Step1



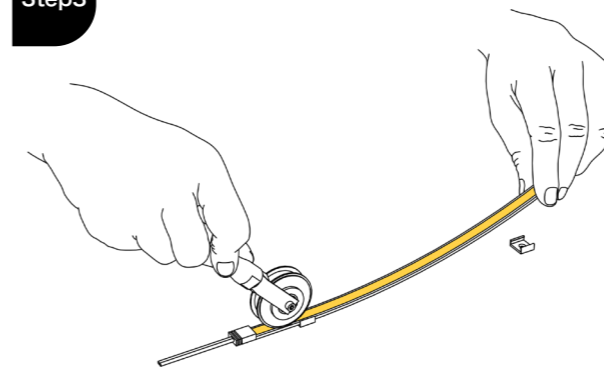
**Preparation:** Gather all tools and materials.

Step2



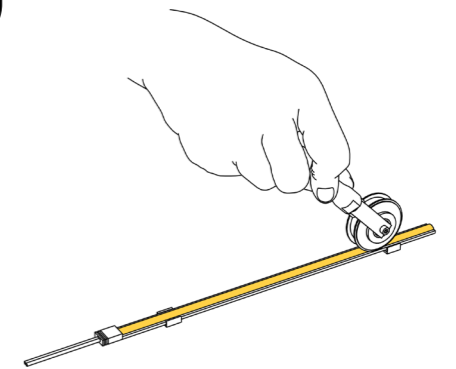
Use screws to secure the PC clip to the needed installation surface.

Step3

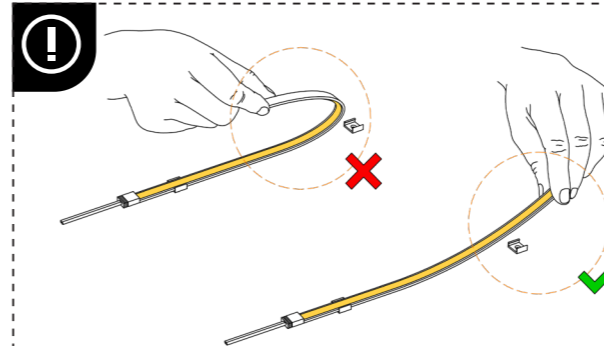


Use the roller(AF002-1) to fix the LED strip into the clip.

Step4

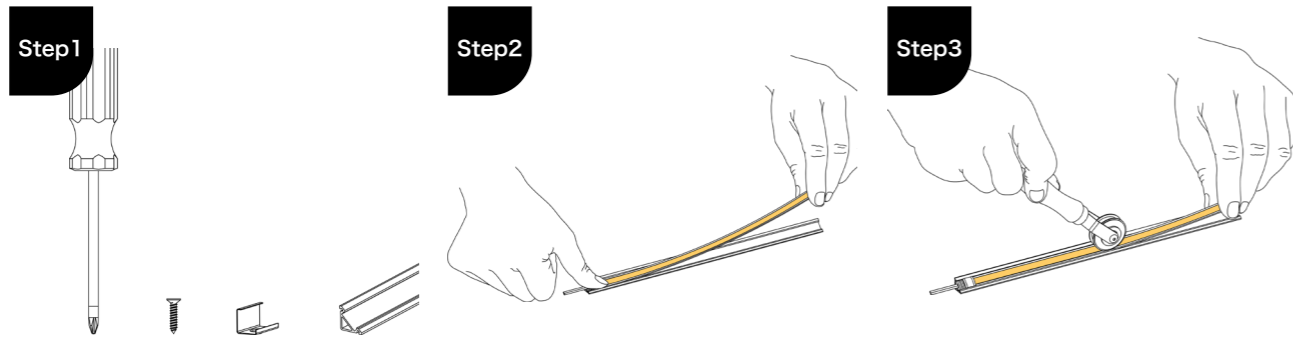


Use the roller(AF002-1) to fix the LED strip into the clip.



- 1、 When removing the LED strip from profile, avoid pulling it out directly.
- 2、 The LED strip must not have adhesive backing when using profiles installation method.

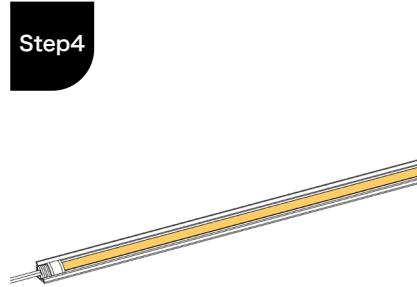
## Curved Profile: AC107-VP



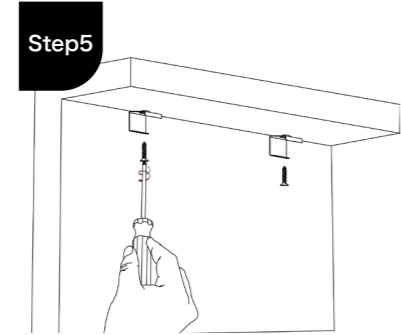
**Step1**  
**Preparation:** Gather all tools and materials.

**Step2**  
Install the LED strip into the profile. Use your thumb to first fix the starting end of the strip (with wires).

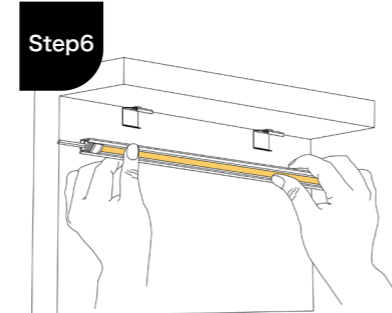
**Step3**  
Use the roller (AF002-1) to gradually secure the LED strip into the profile.



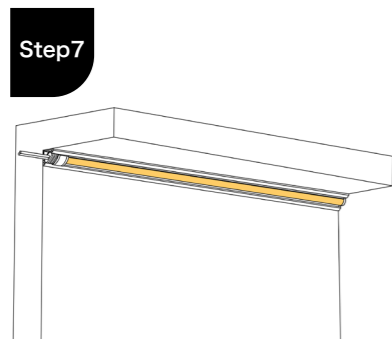
**Step4**  
Ensure that the strip is parallel to the profile and installed smoothly in place (as shown in the figure).



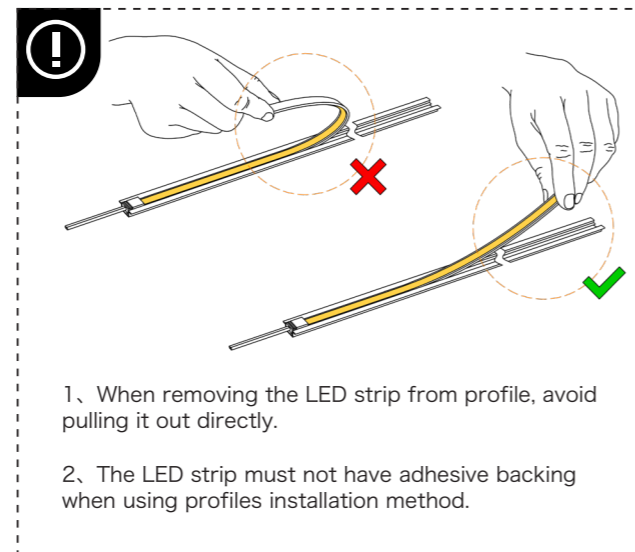
**Step5**  
Fix the clips to the position where the profile needs to be installed.



**Step6**  
Insert the profile into the clips.

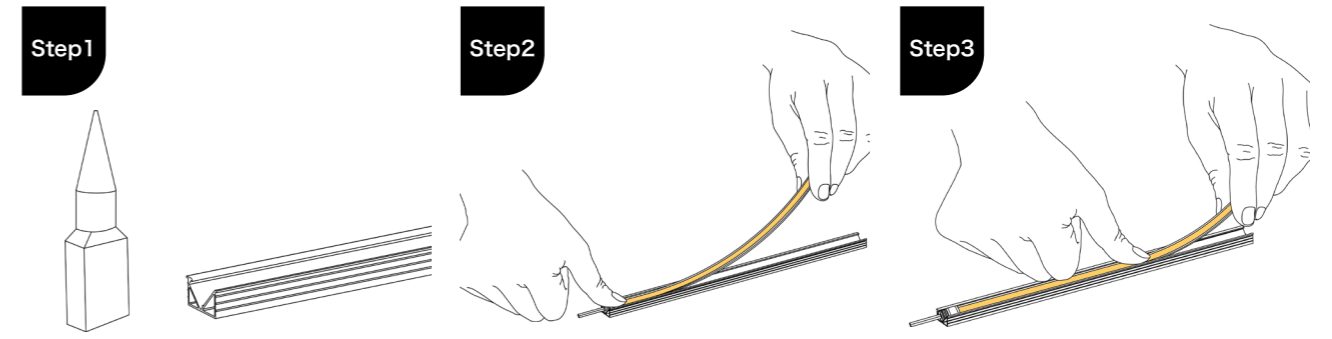


**Step7**  
The installation is complete as shown in the figure.



1. When removing the LED strip from profile, avoid pulling it out directly.
2. The LED strip must not have adhesive backing when using profiles installation method.

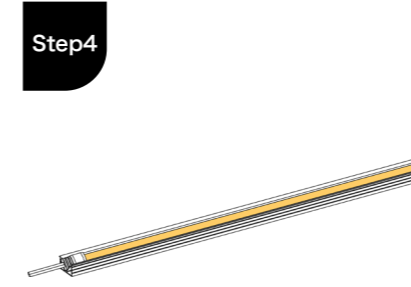
## Strip to Cable Connector: AC107-45P



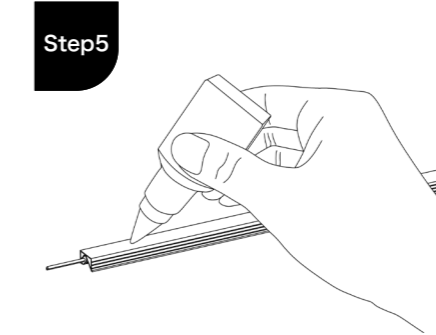
**Step1**  
**Preparation:** Gather all tools and materials.

**Step2**  
Install the LED strip into the profile. Use your thumb to first fix the starting end of the strip (with wires).

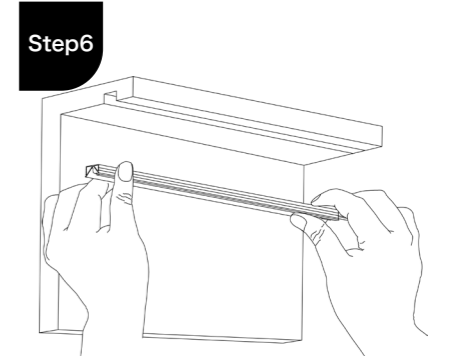
**Step3**  
Press the LED strip into the profile with your thumb.



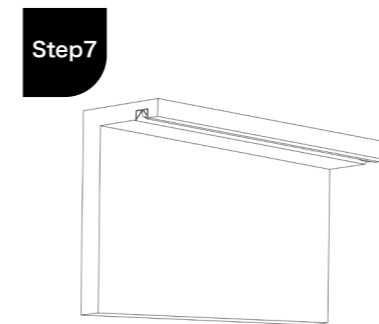
**Step4**  
Ensure that the strip is parallel to the profile and installed smoothly in place (as shown in the figure).



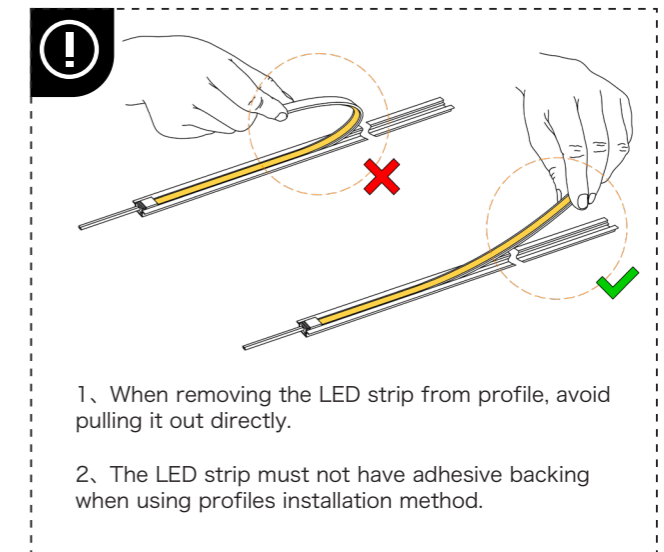
**Step5**  
Apply glue to the back of the profile.



**Step6**  
Insert the profile into the slot.



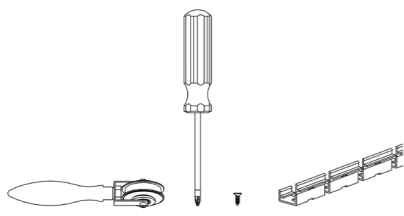
**Step7**  
The installation is complete as shown in the figure.



1. When removing the LED strip from profile, avoid pulling it out directly.
2. The LED strip must not have adhesive backing when using profiles installation method.

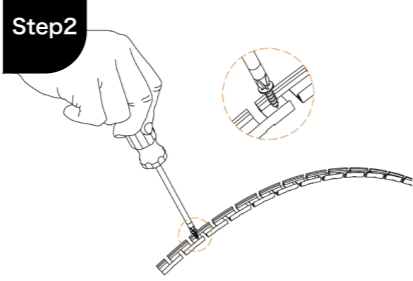
## Curved Profile: AC107-CR

**Step1**



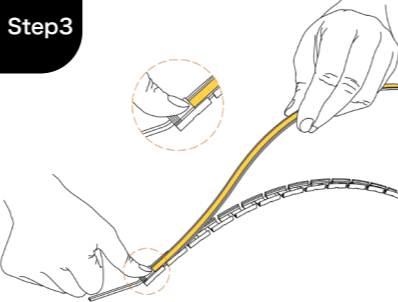
**Preparation:** Gather all tools and materials.

**Step2**



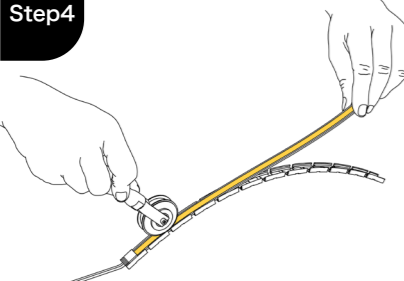
Select the curved installation surface. Bend the profile to fit tightly against the surface and secure it with screws.

**Step3**



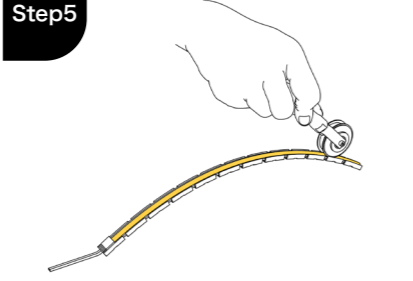
Use your thumb to insert the LED strip into the starting end of the curved profile.

**Step4**


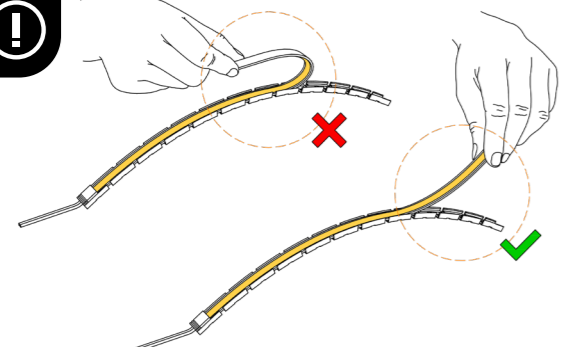


Secure the strip along the profile using the roller (AF002-1) tool.

**Step5**



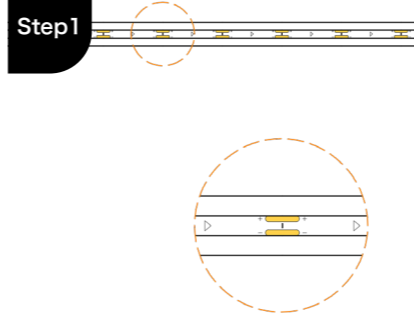
Ensure both the upper and lower silicone parts of the strip are fully seated in the profile.

- 1、 When removing the LED strip from profile, avoid pulling it out directly.
- 2、 The LED strip must not have adhesive backing when using profiles installation method.

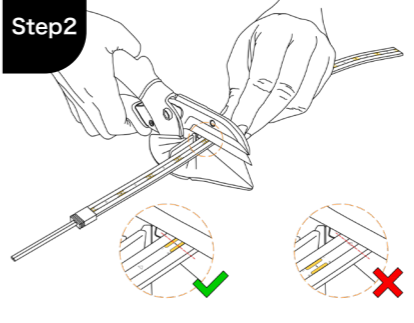
## Strip to Cable Connector: AC085-201

**Step1**



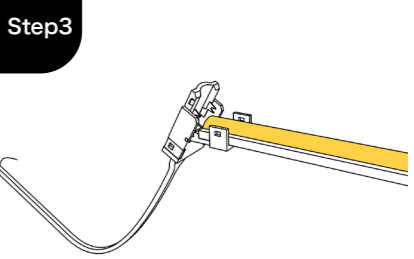
Locate the cutting marks (common error: cutting at solder points).

**Step2**



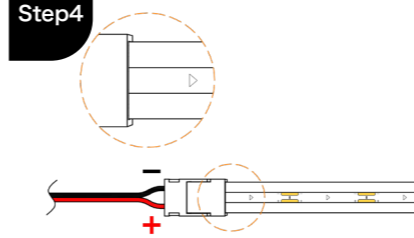
Cut along the marked lines using scissors.

**Step3**



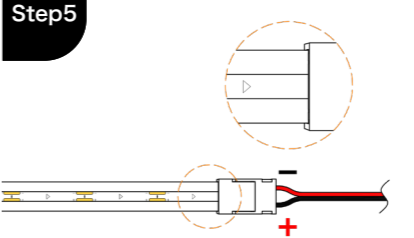
Insert the LED strip into the connector until fully seated.

**Step4**



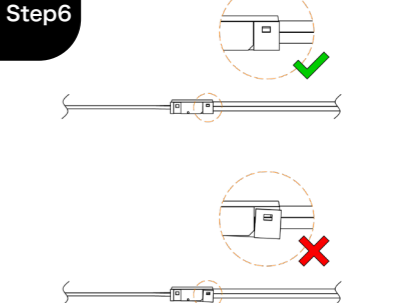
Ensure the connector is on the left side of the LED strip, which is opposite to the direction indicated by the triangle. The polarity of the LED strip is align with the connector: the red wire is "+" and the black wire is "-".

**Step5**



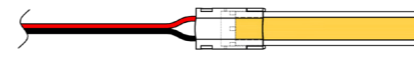
If the connector needs to be connected to the right side of the LED strip, which is the same direction as the triangle indication. The polarity of the LED strip will be opposite to the connector: the red wire is "-" and the black wire is "+".

**Step6**



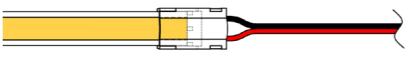
Press down firmly on the clips until heard two "klick"

**Step7**



Test the LED strip with a DC24V power supply (red to "+", black to "-").

**Step8**



If the connector needs to be connected to the right side of the LED strip, test the LED strip with a DC24V power supply (red to "-", black to "+").