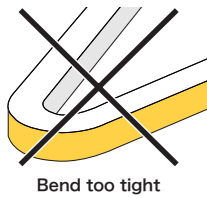
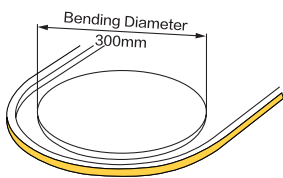
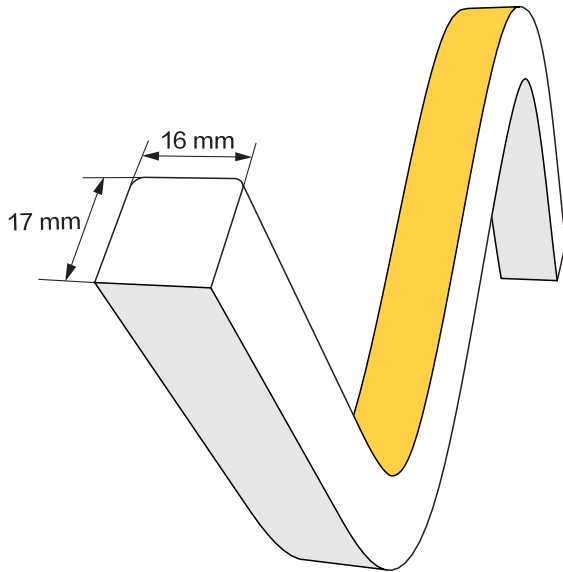
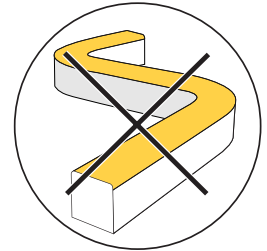
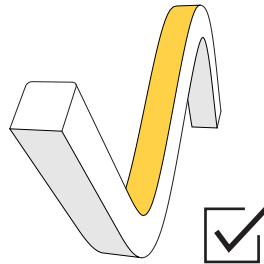


USER INSTRUCTION

LEDLINE WAVE 1617T



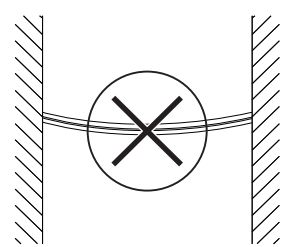
Bend too tight



Do not twist

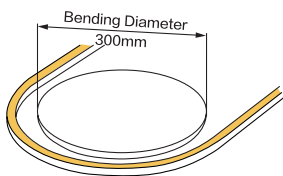
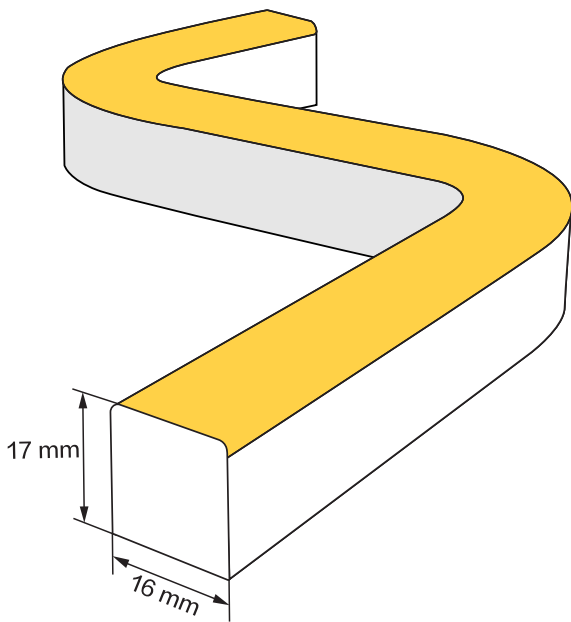


Do not hang

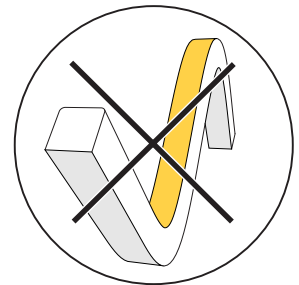
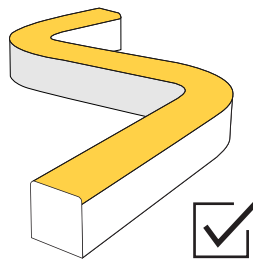


Do not droop

LEDLINE WAVE 1617S



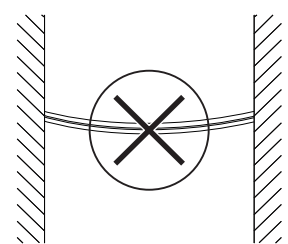
Bend too tight



Do not twist



Do not hang



Do not droop

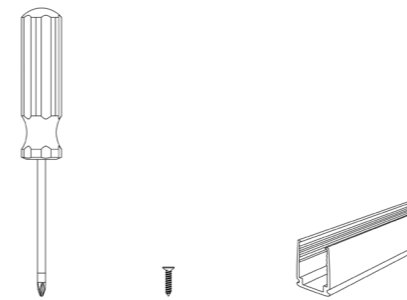
1. The most suitable operation temperature shall be -40°C to 65°C .
2. Please make sure that even during installation, the predetermined bending direction will never change. For WAVE 1617T, it's TOP bending only, and it can't be twisted or side bending; For WAVE 1617S, it's SIDE bending only, and it can't be twisted or top bending.
3. Shall not be bent sharply and it may cause product damage.
4. The minimum bending diameter is
LEDLINE WAVE 1617T : Top bending 300mm
LEDLINE WAVE 1617S : Side bending 300mm,
over bending will damage and void any warranty.
5. During the installation, the LEDLINE WAVE 1617T / WAVE 1617S can not be:
 - Twisted
 - Dropped
 - Bent at a 90° angle or bent at all
 - Sagging/Hanging down
6. For installation:
 - SUBMERSION: Only the designated PC profile is approved.
 - NOT FOR SUBMERSION: All profiles may be used.
7. Install the product into profile carefully and correctly, taking out and re-assembling will most likely cause the product damaged.
8. LEDLINE WAVE 1617 is designed for permanent submersion. To ensure continued integrity of the waterproof seal:
 - The product's structure must not be compromised during installation.
 - Do not strike, impact, or puncture the silicone surface with sharp objects or tools.
 All LED light are warranted to be free from defects in product
9. While the product is rated IP69, the following precautions are recommended during high-pressure cleaning in pool environments:
 - Water jet pressure must be maintained below 7.5 MPa.
 - Do not direct the jet at the same point for more than 3 minutes continuously.

Warranty:

- All LED light are warranted to be free from defects in product itself from the date of purchase.
- Within this period, we, at its sole option, repair or replace any components which fail from correct use. Such repairs or replacement will be made at no charge to the customer for parts only, provided that the customer shall be responsible for transportation cost of the goods.
- This warranty does not cover failures due to abuse, misuse, improper handling, act of nature, negligence, normal wear, accidental damage, modifications or repairs made by the purchaser or incorrect voltage conditions.

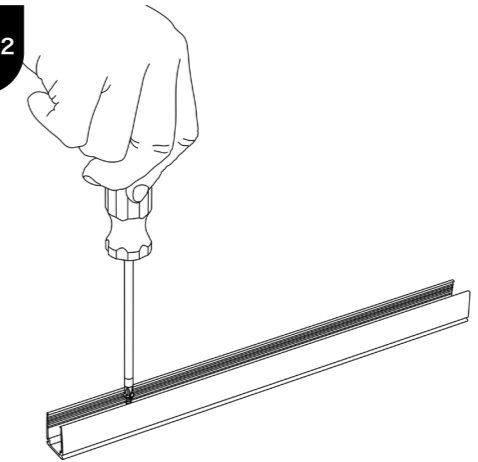
PC Profile: AC167-PC [SUBMERSION & OUTDOOR]

Step1



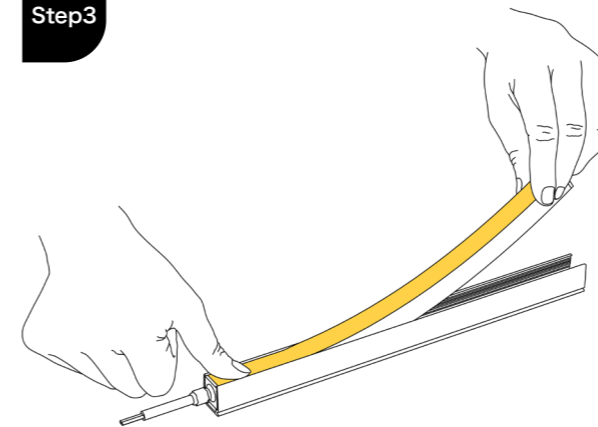
Preparation: Gather all tools and materials.

Step2



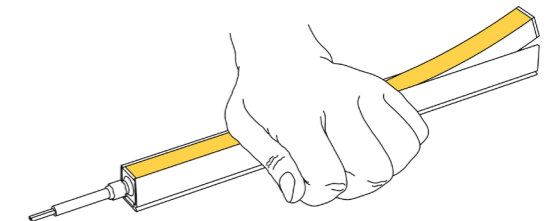
Use screws to secure the profile to the needed installation surface.

Step3



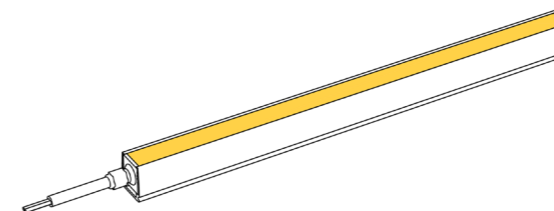
Use your thumb to first fix the starting end of the strip (with wires).

Step4



Use your palm to gradually press the Neon strip into the profile.

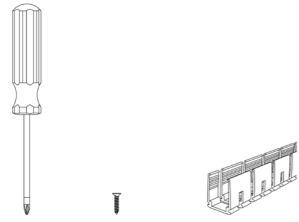
Step5



Ensure that the strip is parallel to the profile and installed smoothly in place (as shown in the figure).

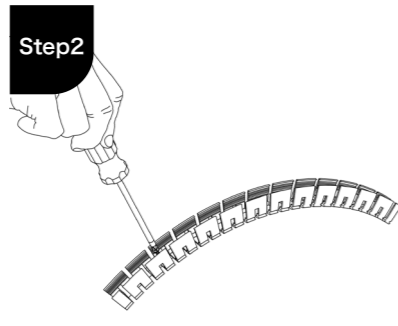
PC Profile: AC167-CPC [SUBMERSION & OUTDOOR]

Step1



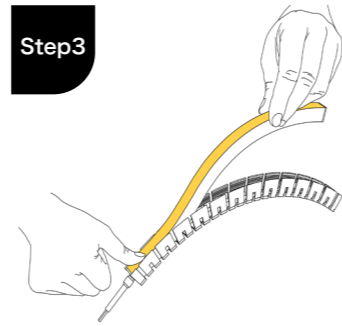
Preparation: Gather all tools and materials.

Step2



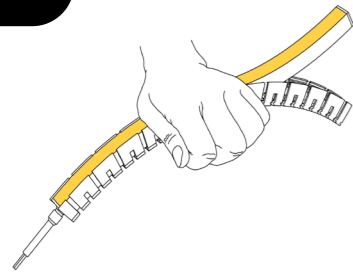
Select the curved installation surface. Bend the profile to fit tightly against the surface and secure it with screws.

Step3



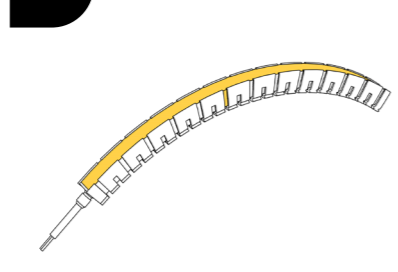
Use your thumb to first fix the starting end of the strip (with wires).

Step4

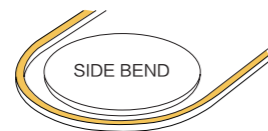
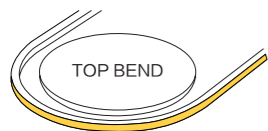


Use your palm to gradually press the Neon strip into the profile.

Step5



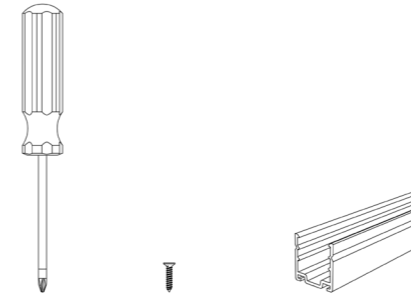
Ensure that the strip is parallel to the profile and installed smoothly in place (as shown in the figure)



The minimum bending diameter of **AC167-CPC** is 300mm for vertical bending and 300mm for horizontal bending.

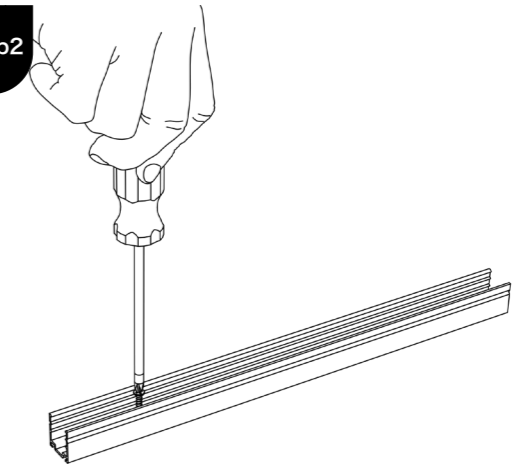
Aluminium Profile: AC167-AP [OUTDOOR ONLY]

Step1



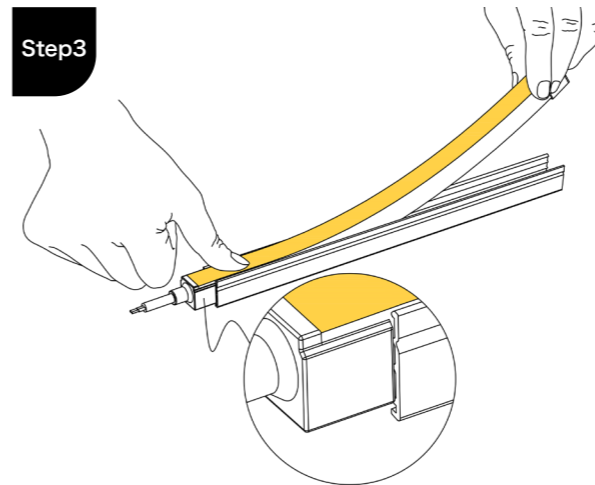
Preparation: Gather all tools and materials.

Step2



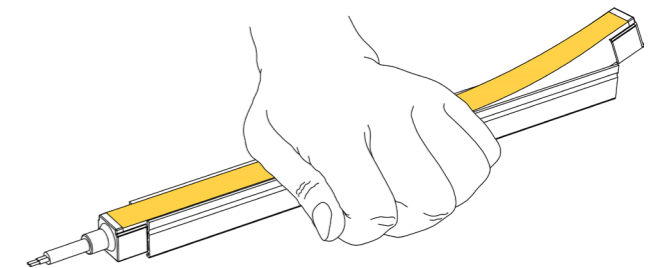
Use screws to secure the profile to the needed installation surface.

Step3



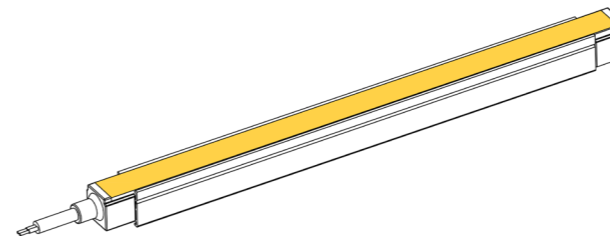
Use your thumb to first fix the starting end of the strip (with wires). Make sure the strip endcaps are outside the profile.

Step4



Use your palm to gradually press the Neon strip into the profile.

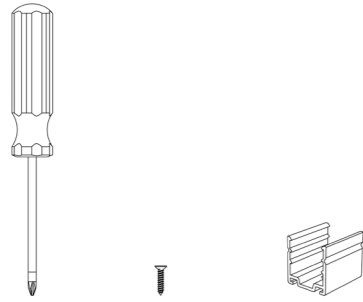
Step5



Ensure that the strip is parallel to the profile and installed smoothly in place (as shown in the figure).

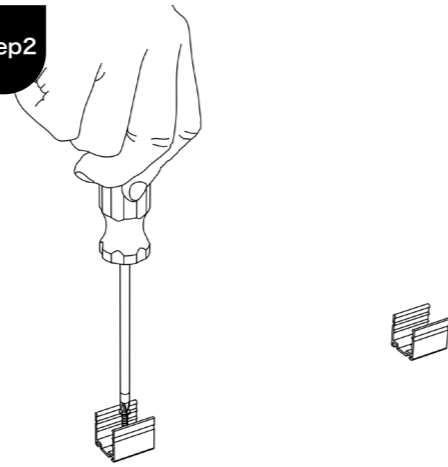
Mounting Clips: AC167-MC [OUTDOOR ONLY]

Step1



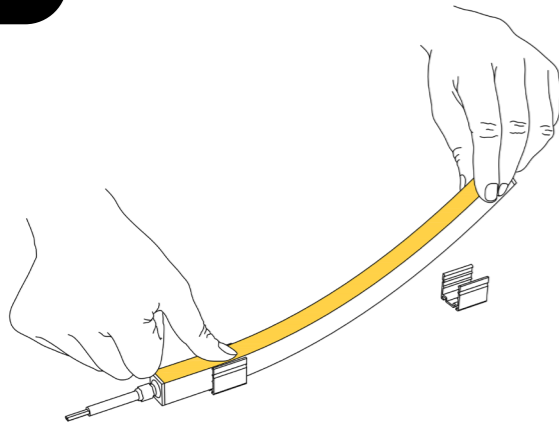
Preparation: Gather all tools and materials.

Step2



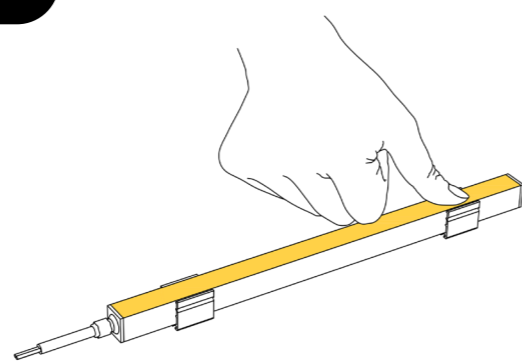
Use screws to secure the profile to the needed installation surface.

Step3



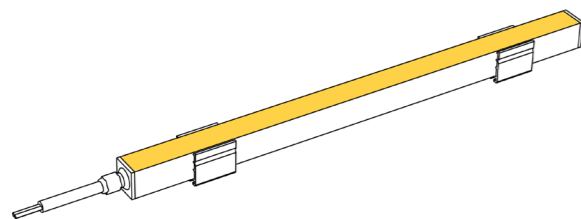
Use your thumb to first fix the starting end of the strip (with wires).

Step4



Use your palm to gradually press the Neon strip into the profile.

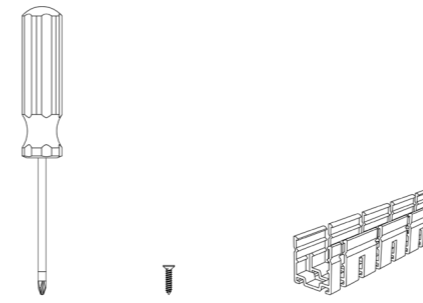
Step5



Ensure that the strip is parallel to the profile and installed smoothly in place (as shown in the figure).

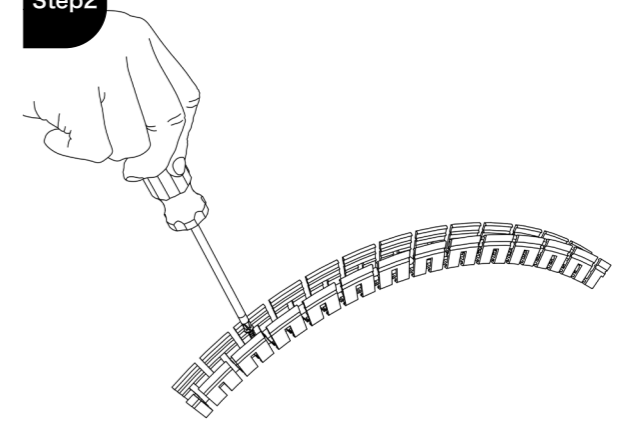
Aluminium Profile: AC167-CR [OUTDOOR ONLY]

Step1



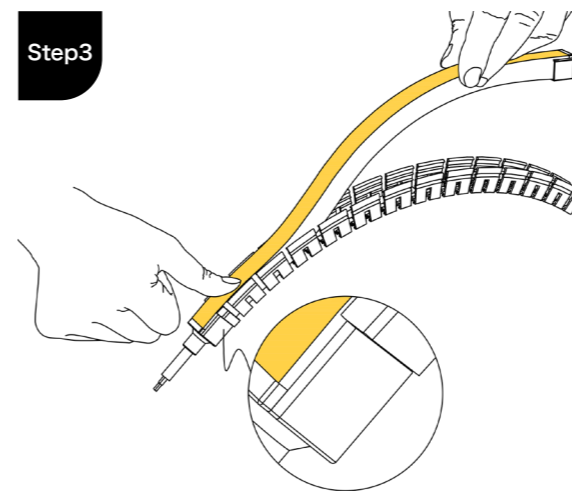
Preparation: Gather all tools and materials.

Step2



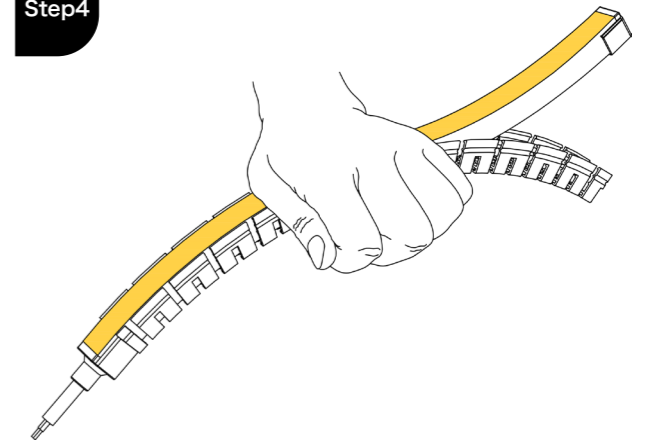
Select the curved installation surface. Bend the profile to fit tightly against the surface and secure it with screws.

Step3



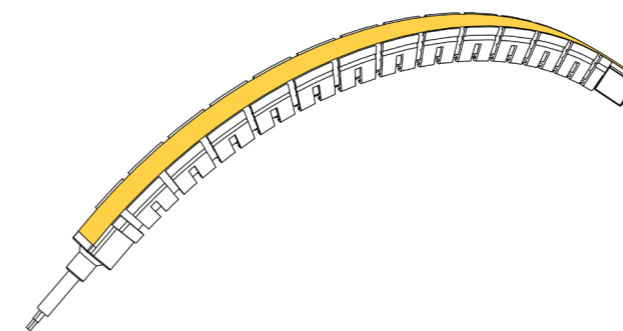
Use your thumb to first fix the starting end of the strip (with wires).
Make sure the strip endcaps are outside the profile.

Step4

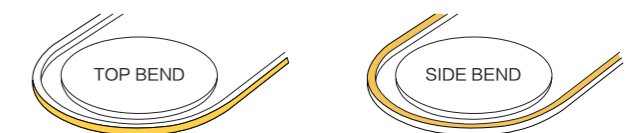


Use your palm to gradually press the Neon strip into the profile.

Step5

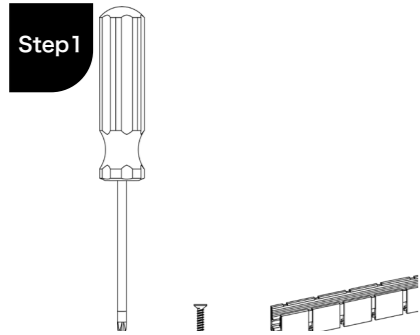


Ensure that the strip is parallel to the profile and installed smoothly in place (as shown in the figure).

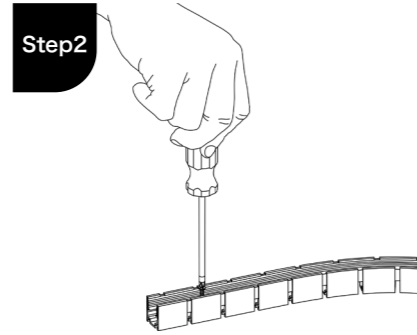


! The minimum bending diameter of **AC167-CR** is 600mm for vertical bending and 600mm for horizontal bending.

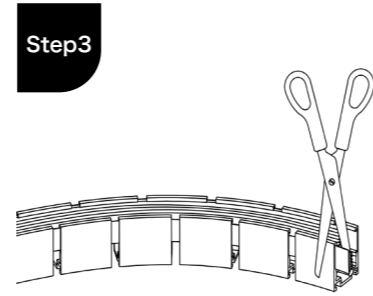
PC Profile: AC167-CSGP [OUTDOOR ONLY]



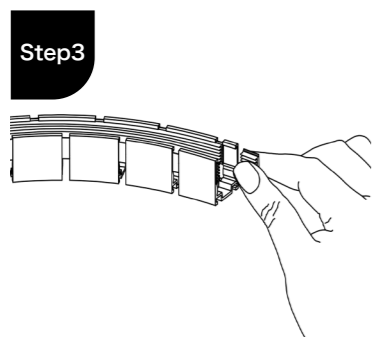
Step1
Preparation: Gather all tools and materials.



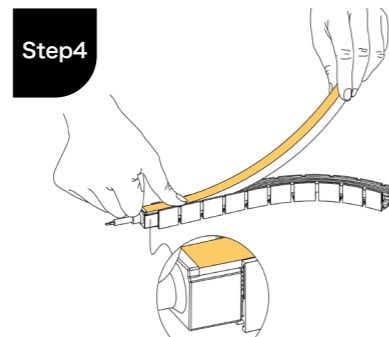
Step2
Select the curved installation surface. Bend the profile to fit tightly against the surface and secure it with screws.



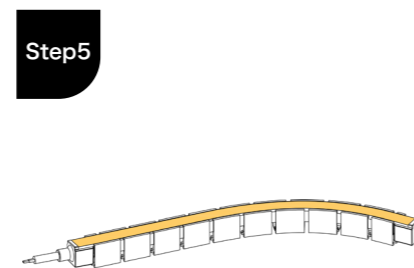
Step3
After bending the profile, trim off the excess silicone tape on the inside



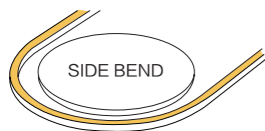
Step3
Insert the cut silicone tape into the missing section on the outside



Step4
Use your thumb to first fix the starting end of the strip (with wires). Then use your palm to gradually press the Neon strip into the profile. Make sure the strip endcaps are outside the profile.

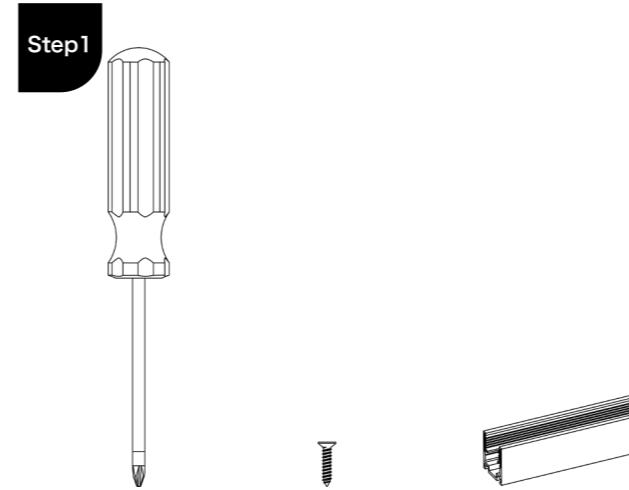


Step5
Ensure that the strip is parallel to the profile and installed smoothly in place (as shown in the figure)

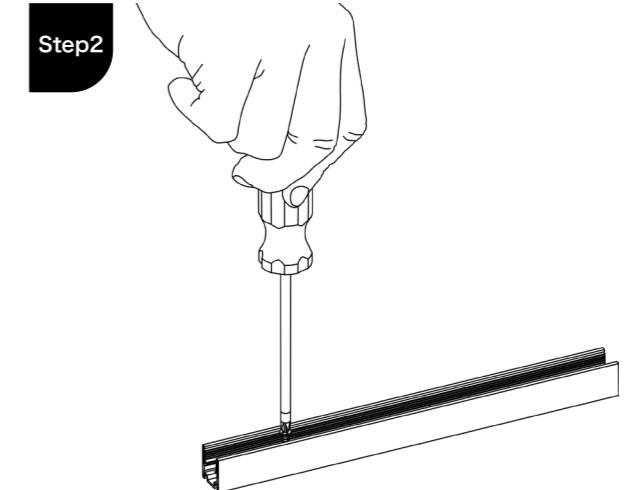


! The minimum bending diameter of **AC167-CSGP** is 600mm for side bending.

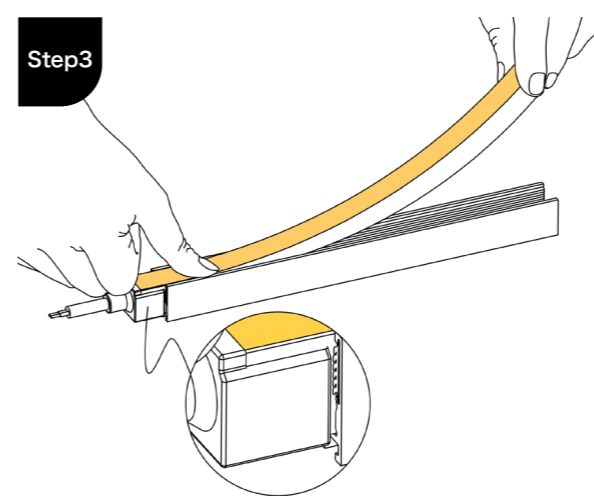
PC Profile: AC167-SGP [OUTDOOR ONLY]



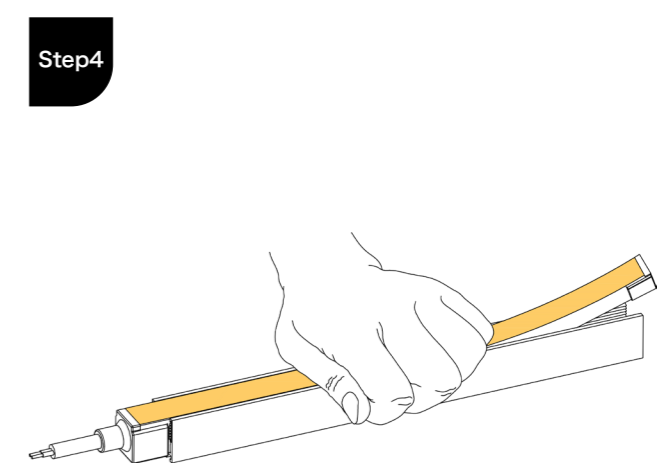
Step1
Preparation: Gather all tools and materials.



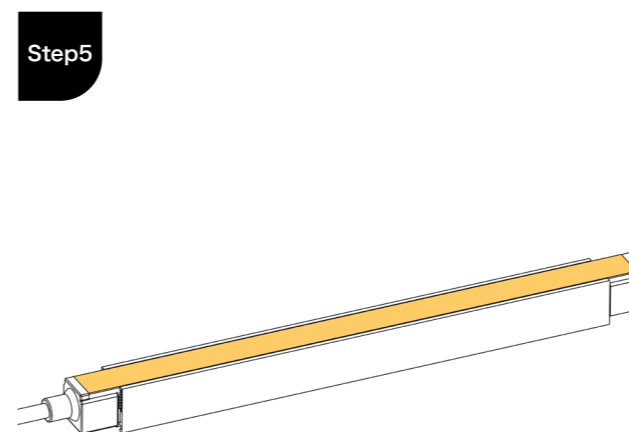
Step2
Use screws to secure the profile to the needed installation surface.



Step3
Use your thumb to first fix the starting end of the strip (with wires). Make sure the strip endcaps are outside the profile.



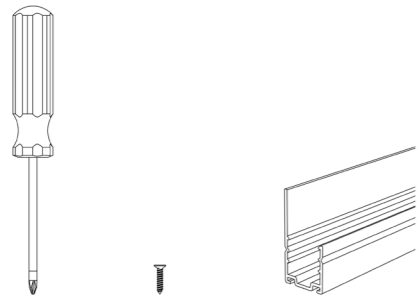
Step4
Use your palm to gradually press the Neon strip into the profile.



Step5
Ensure that the strip is parallel to the profile and installed smoothly in place (as shown in the figure).

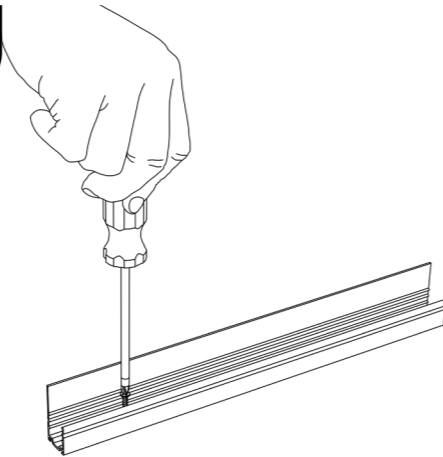
Aluminium Profile: AC167-BA [OUTDOOR ONLY]

Step1



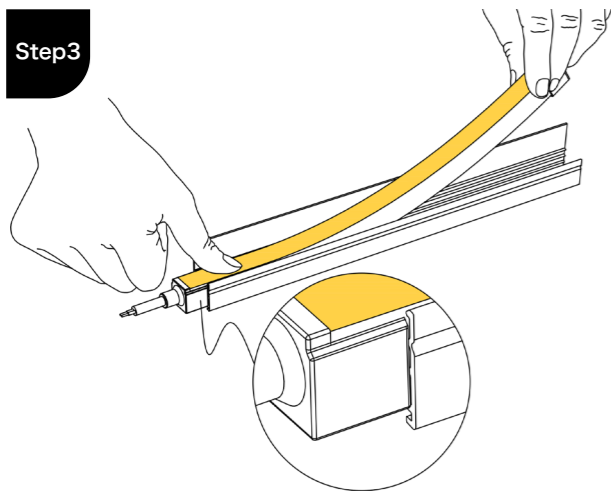
Preparation: Gather all tools and materials.

Step2



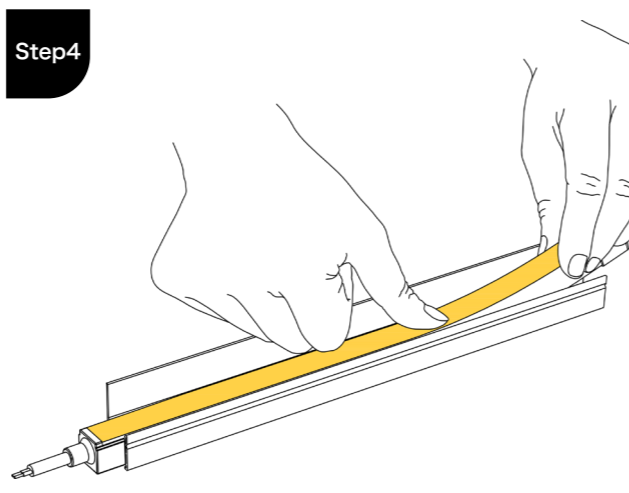
Use screws to secure the profile to the needed installation surface.

Step3



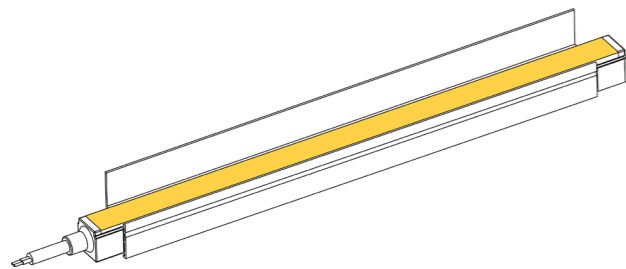
Use your thumb to first fix the starting end of the strip (with wires).
Make sure the strip endcaps are outside the profile.

Step4



Then gradually press the Neon strip into the profile.

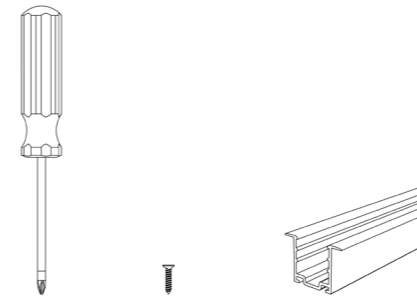
Step5



Ensure that the strip is parallel to the profile and installed smoothly in place (as shown in the figure).

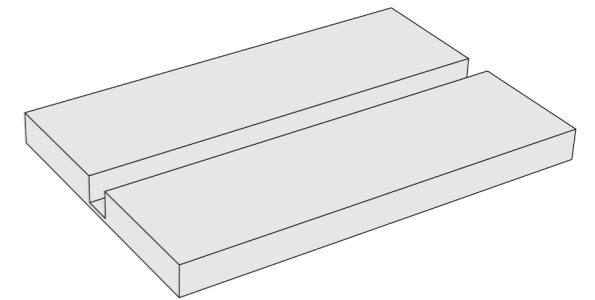
Aluminium Profile: AC167-EP [OUTDOOR ONLY]

Step1



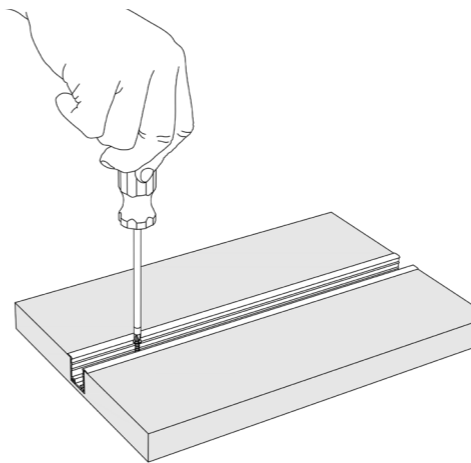
Preparation: Gather all tools and materials.

Step2



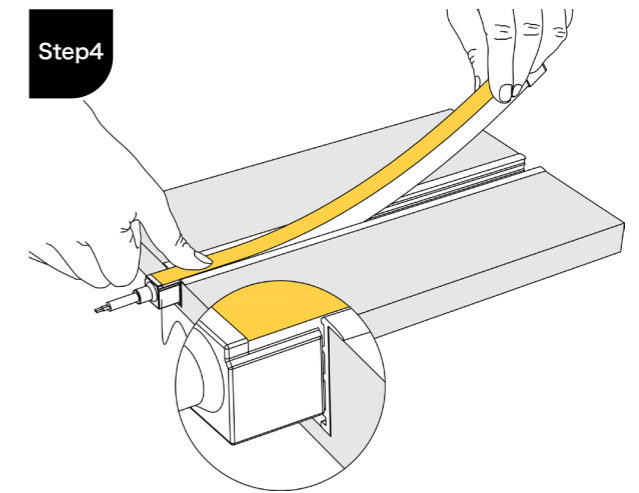
According to the size of the profile, groove the required installation surface (wooden board or wall, etc.).

Step3



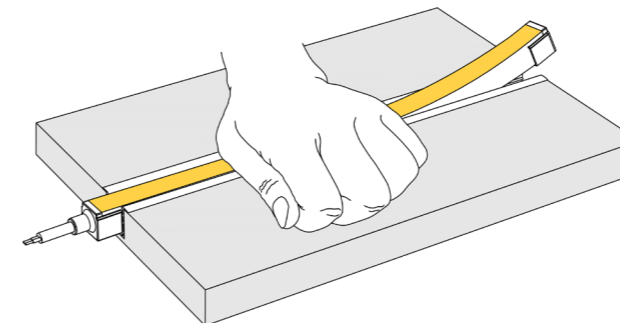
Use screws to secure the profile to the grooved installation surface.

Step4



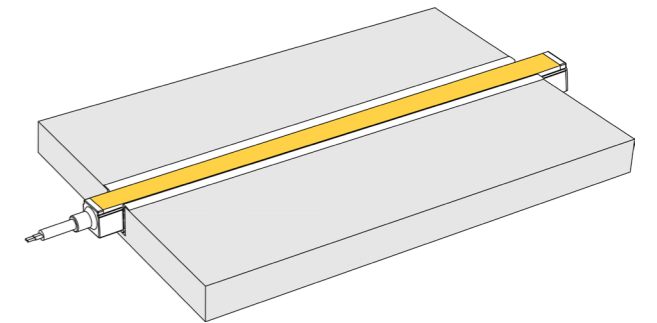
Use your thumb to first fix the starting end of the strip (with wires).
Make sure the strip endcaps are outside the profile.

Step5



Use your palm to gradually press the Neon strip into the profile.

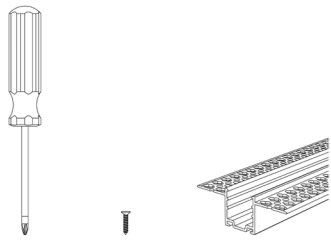
Step6



Ensure that the strip is parallel to the profile and installed smoothly in place (as shown in the figure).

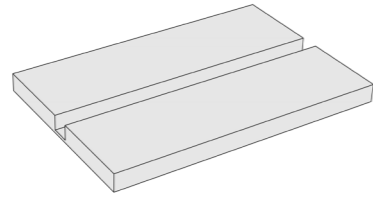
Mud-in Application: AC167-LP [OUTDOOR ONLY]

Step1



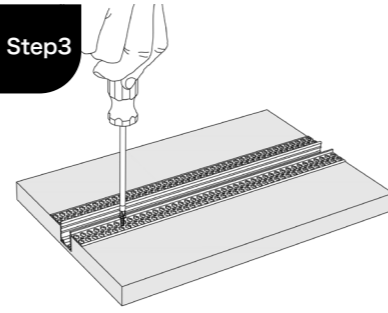
Preparation: Gather all tools and materials.

Step2



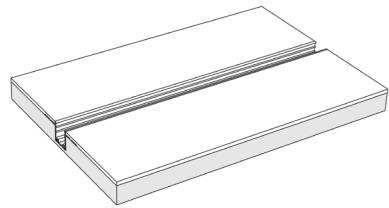
According to the size of the profile, groove the required installation surface (wooden board or wall, etc.).

Step3



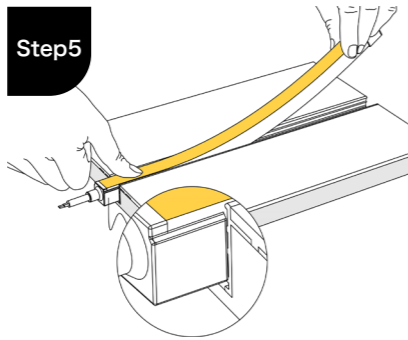
Use screws to secure the profile to the grooved installation surface.

Step4



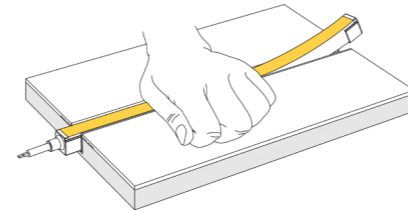
Fix the flange edge of the profile with cement paste (ensure it is level with the installation surface).

Step5



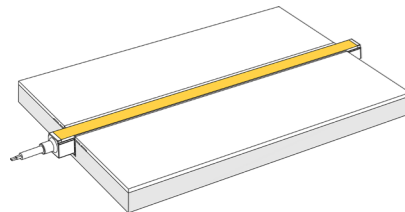
Use your thumb to first fix the starting end of the strip (with wires). Make sure the strip endcaps are outside the profile.

Step6



Use your palm to gradually press the Neon strip into the profile.

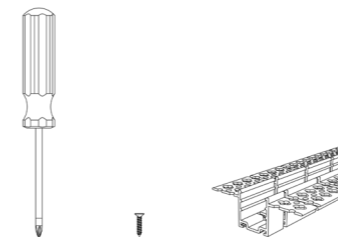
Step7



Ensure that the strip is parallel to the profile and installed smoothly in place (as shown in the figure)

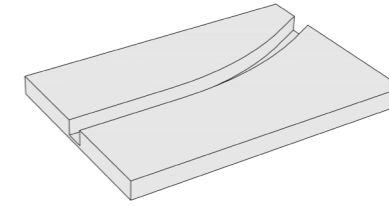
Curved Mud-in Application: AC167-CRL [OUTDOOR ONLY]

Step1



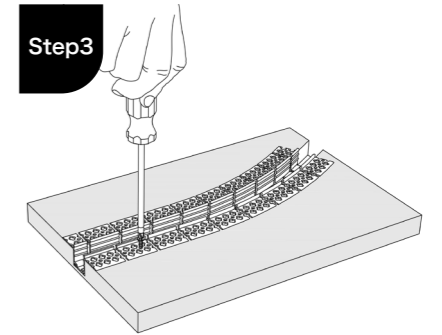
Preparation: Gather all tools and materials.

Step2



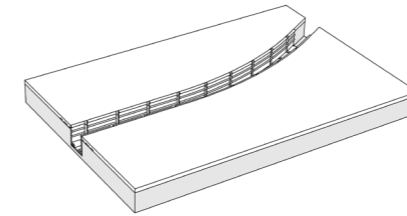
According to the size of the profile, groove the required installation curved surface (wooden board or wall, etc.).

Step3



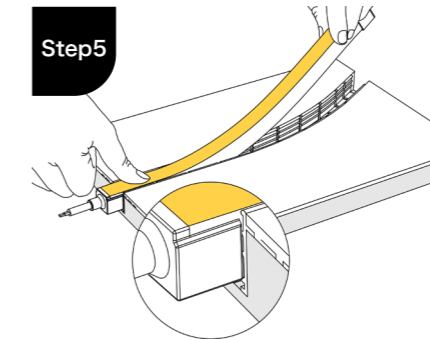
Use screws to secure the profile to the grooved installation surface.

Step4



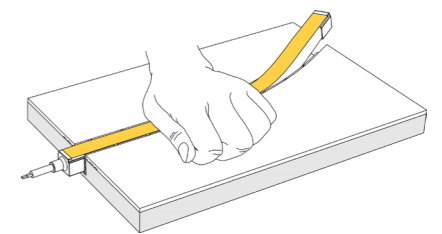
Fix the flange edge of the profile with cement paste (ensure it is level with the installation surface).

Step5



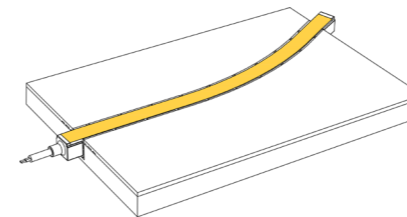
Use your thumb to first fix the starting end of the strip (with wires). Make sure the strip endcaps are outside the profile.

Step6

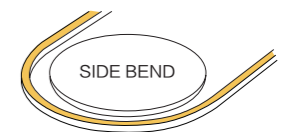


Use your palm to gradually press the Neon strip into the profile.

Step7



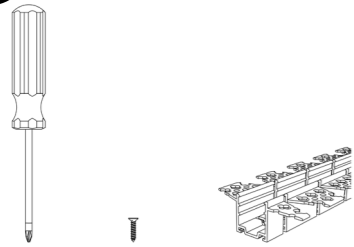
Ensure that the strip is parallel to the profile and installed smoothly in place (as shown in the figure)



The minimum bending diameter of **AC167-CRL** is 600mm for vertical bending and 1600mm for horizontal bending

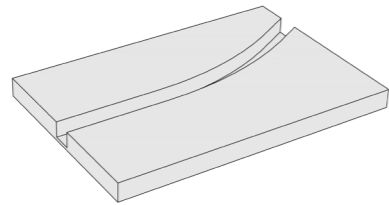
Curved Mud-in Application: AC167-SCRL [OUTDOOR ONLY]

Step1



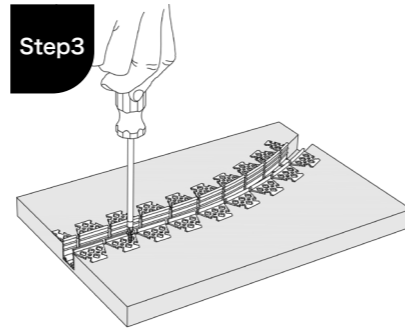
Preparation: Gather all tools and materials.

Step2



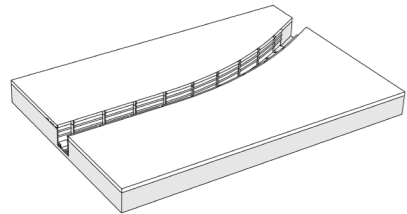
According to the size of the profile, groove the required installation curved surface (wooden board or wall, etc.).

Step3



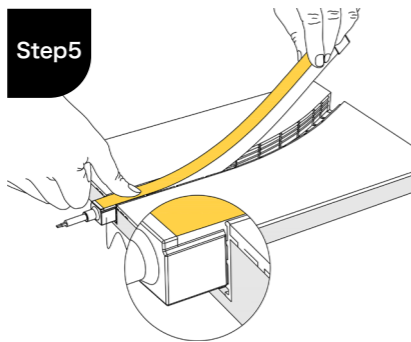
Use screws to secure the profile to the grooved installation surface.

Step4



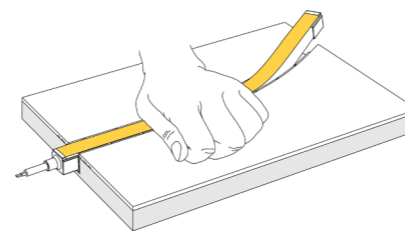
Fix the flange edge of the profile with cement paste (ensure it is level with the installation surface).

Step5



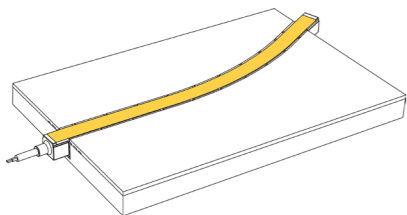
Use your thumb to first fix the starting end of the strip (with wires). Make sure the strip endcaps are outside the profile.

Step6

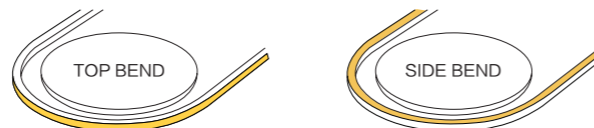


Use your palm to gradually press the Neon strip into the profile.

Step7



Ensure that the strip is parallel to the profile and is stalled smoothly in place (as shown in the figure)

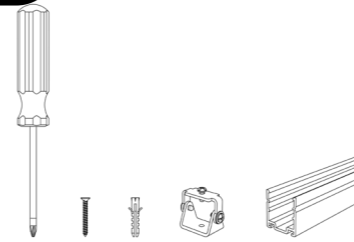


! The minimum bending diameter of **AC167-SCRL** is 600mm for vertical bending and 600mm for horizontal bending;

- !**
- 1.The profiles are shipped without holes or screws by default;
 - 2.Please pay attention to the bending direction and minimum bending diameter when installing the Neon strip;
 - 3.Please have at least two people cooperate during the installation of the Neon strip, one person installing the Neon strip and one person supporting the Neon strip to prevent excessive distortion;
 - 4.Please pay attention to the bending direction and minimum bending diameter when installing bendable profiles;
 - 5.When removing the Neon strip from the profile, please use screws to slowly lift the Neon strip from the bottom of the profile

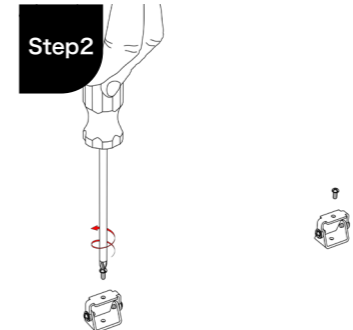
Angle Mounting Bracket: AC167-AMB [OUTDOOR ONLY]

Step1



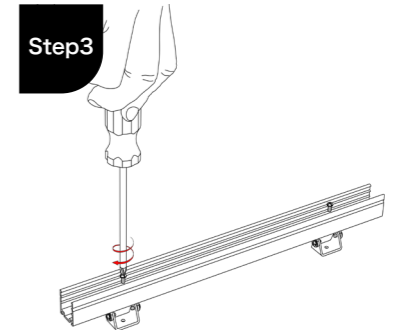
Preparation: Gather all tools and materials.

Step2



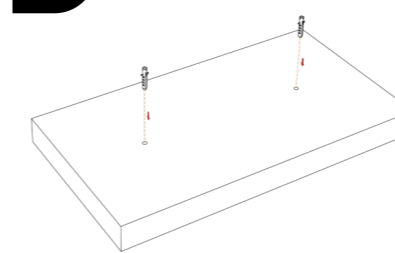
Unscrew all the screws on the rotating bracket.

Step3



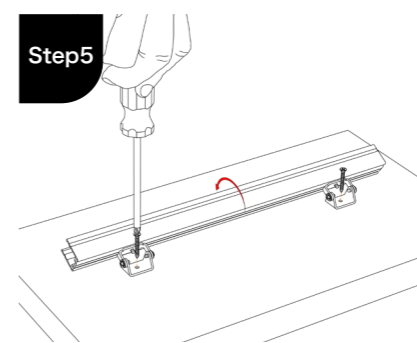
Thread the screws removed from the rotating bracket through the corresponding holes on the profile, tighten them, and ensure that they are securely connected to the rotating bracket.

Step4



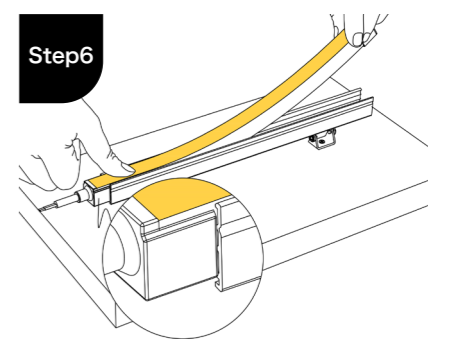
Drill holes on the surface to be installed according to the size of the screws.

Step5



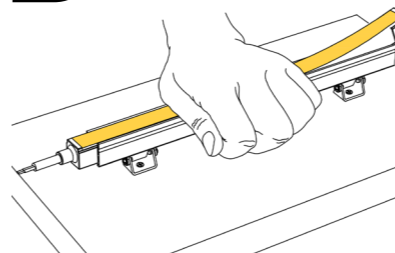
Fix the rotating bracket onto the installation surface with screws.

Step6



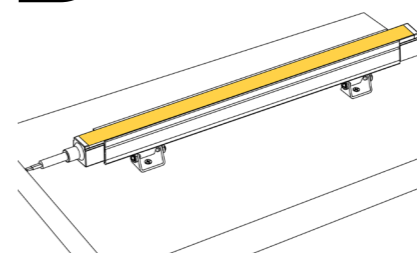
Use your thumb to first fix the starting end of the strip (with wires). Make sure the strip endcaps are outside the profile.

Step7



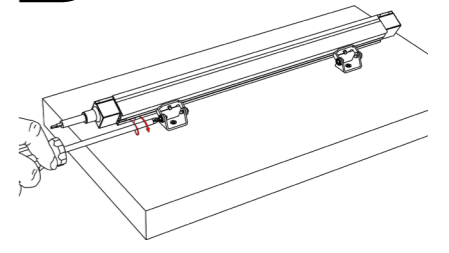
Use your palm to gradually press the Neon strip into the profile.

Step8



Ensure that the strip is parallel to the profile and installed smoothly in place (as shown in the figure).

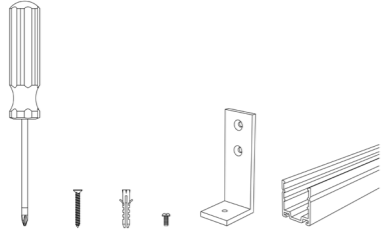
Step9



Rotate the rotating bracket to the desired angle, and then use a screwdriver to tighten the screws on the side of the rotating bracket to fix the angle.

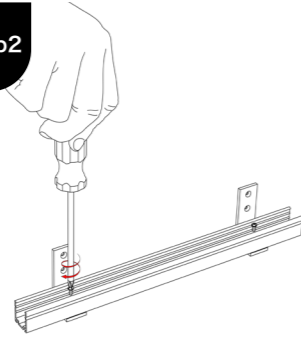
AL Shape Mounting Bracket: AC167-SET-LA [OUTDOOR ONLY]

Step1



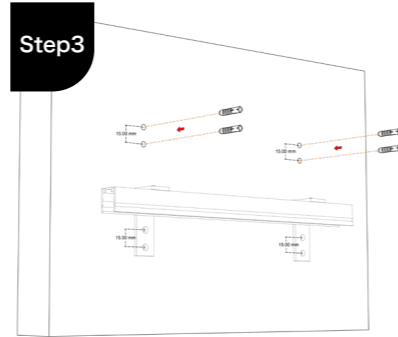
Preparation: Gather all tools and materials.

Step2



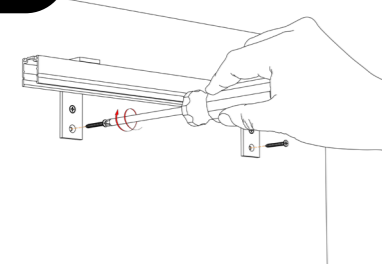
Drill holes in the profile and place it on the short side of the L-shaped bracket. Thread small screws through the holes in the profile and the short side of the L-shaped bracket, tighten them, and ensure they are firmly connected.

Step3



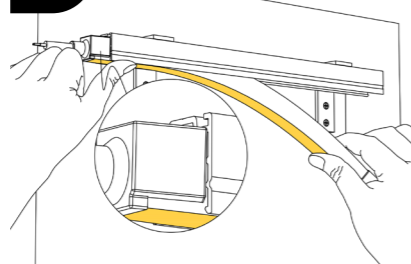
Drill holes on the surface to be installed according to the size of the screws. The distance between the centers of the two screw holes is around 15mm.

Step4



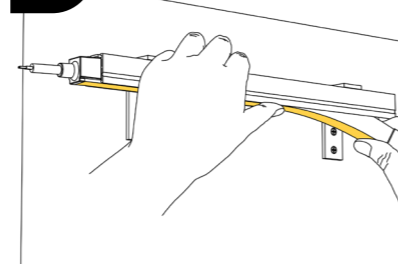
Pick up the fixed profile and bracket, align the two holes on the long side of the L-shaped bracket with the pre drilled holes, and then lock them with long screws.
(Note: first screw in the screws from one left and one right, and then screw in the second screw from one left and one right).

Step5



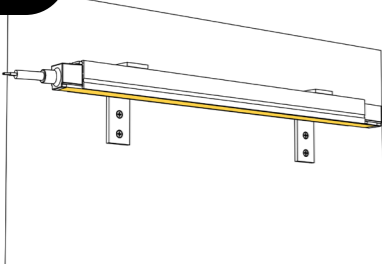
Use your thumb to first fix the starting end of the strip (with wires). Make sure the strip endcaps are outside the profile.

Step6



Then gradually press the Neon strip into the profile.

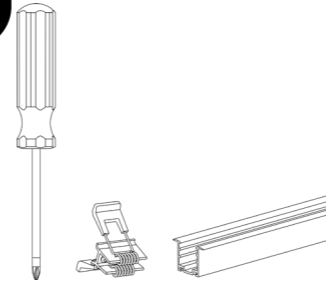
Step7



Ensure that the strip is parallel to the profile and installed smoothly in place (as shown in the figure).

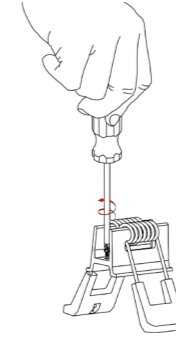
Angle Mounting Bracket: AC167-SET-LC [OUTDOOR ONLY]

Step1



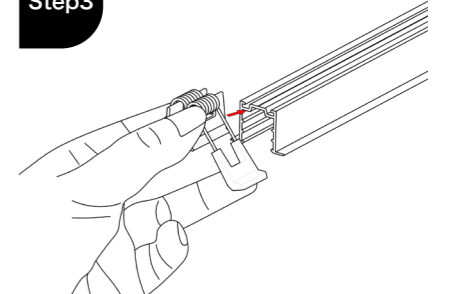
Preparation: Gather all tools and materials.

Step2



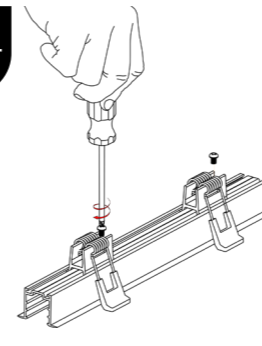
Remove the screw from the clip.

Step3



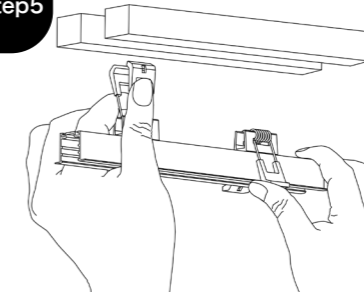
Grip the spring clip and slide into the profile.

Step4



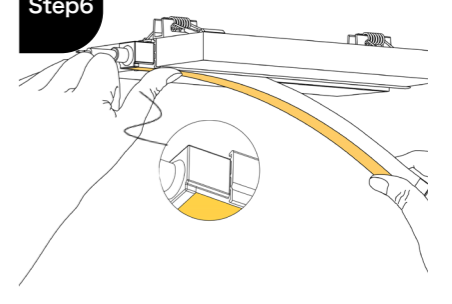
Lock the clip tightly.

Step5



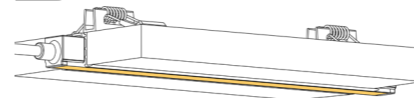
Grip the spring clip and insert the profile into the slot.

Step6



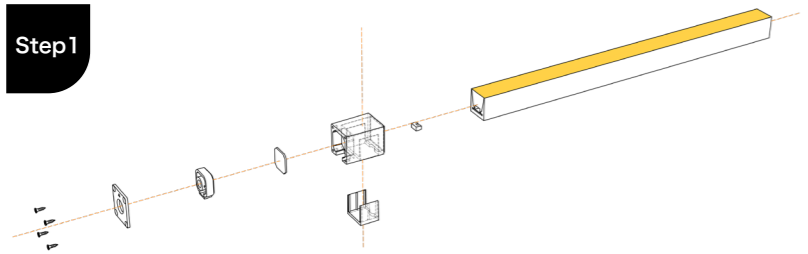
Use your thumb to first fix the starting end of the strip (with wires). Then use your palm to gradually press the Neon strip into the profile. Make sure the strip endcaps are outside the profile.

Step7

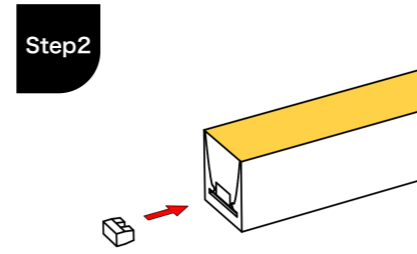


Ensure that the strip is parallel to the profile and installed smoothly in place (as shown in the figure).

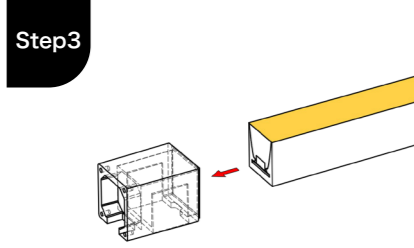
DIY Closed end cap: 1617T-WS (IP67)



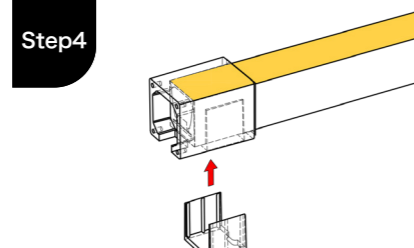
Preparation: Gather all tools and materials (Neon - after cutting).



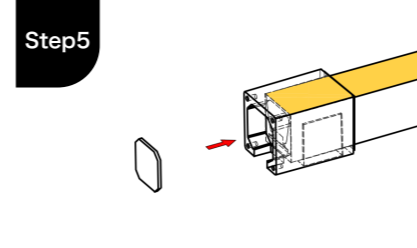
Insert the transparent U-shaped plug into the gap between the FPC board and the LED (angled towards the FPC board surface).



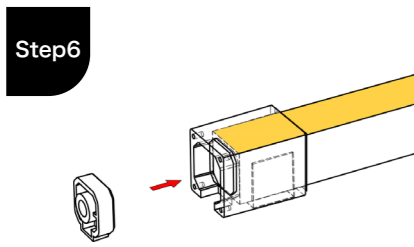
Insert the Neon strip into the PC casing and push the neon strip to the bottom of the PC casing (with the notch facing towards the back of the luminous surface).



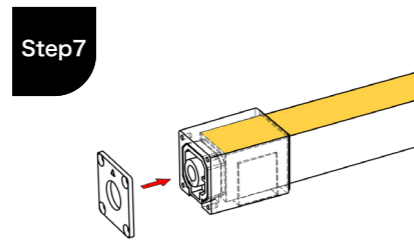
Insert the U-shaped buckle into the corresponding position (as shown in the figure) to secure the Neon strip.



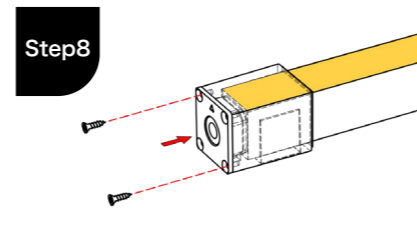
Place the silicone gasket into the PC casing.



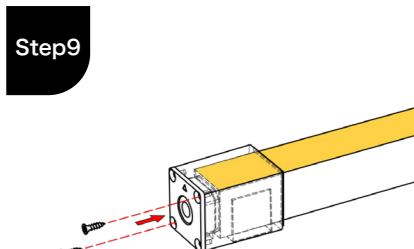
Place the transparent endcap into the PC casing.



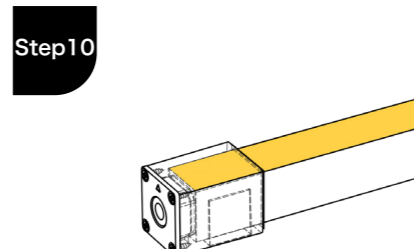
Place the stainless steel cover parallel to the horizontal surface of the transparent tailgate cover (with the triangle outside and point towards the light-emitting surface)



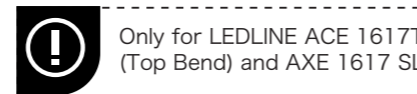
Tighten a set of diagonal screws first



Then tighten another set of diagonal screws.

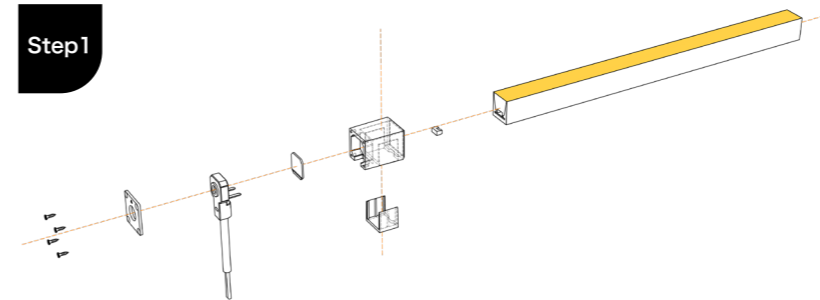


Ensure that the stainless steel cover is installed in place as shown in the diagram.

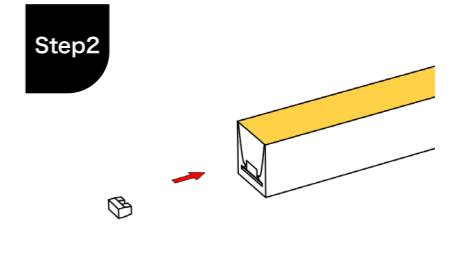


Only for LEDLINE ACE 1617T (Top Bend) and AXE 1617 SL

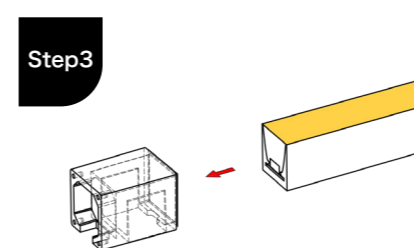
DIY End Cap: 1617T-WS-C-2P-B/L-30 (IP67)



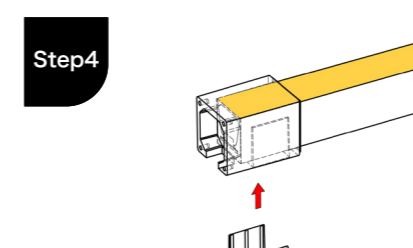
Preparation: Gather all tools and materials (Neon - after cutting).



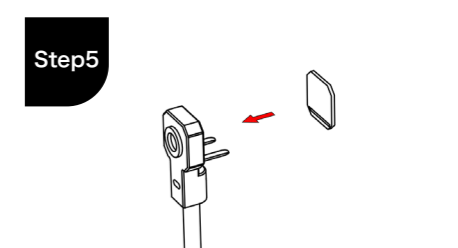
Insert the transparent U-shaped plug into the gap between the FPC board and the LED (angled towards the FPC board surface).



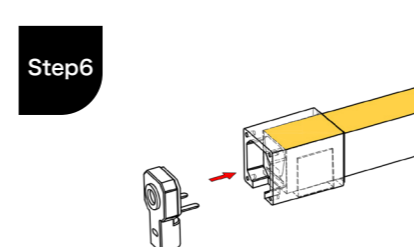
Insert the Neon strip into the PC casing and push the neon strip to the bottom of the PC casing (with the notch facing towards the back of the luminous surface).



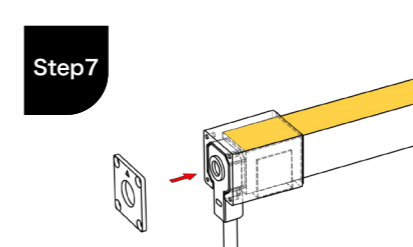
Insert the U-shaped buckle into the corresponding position (as shown in the figure) to secure the Neon strip.



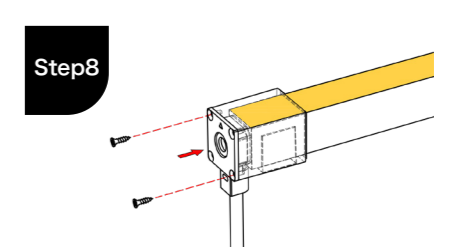
Insert the non porous silicone gasket into the terminal wire.



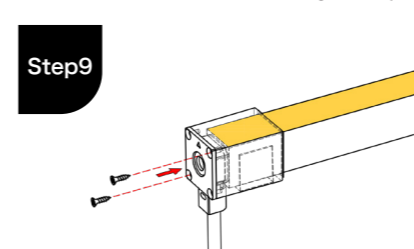
Insert the copper sheet on the terminal wire into the back of the FPC board with your thumb (between the copper strip/anti breakage piece and the FPC B). Then use the wire of this side to connect a DC24V power supply for lighting testing. (Remember not to directly connect the Neon strip to the mains AC110V/AC220V to light it up)



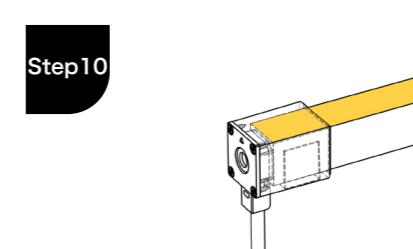
Place the stainless steel cover parallel to the horizontal surface of the transparent tailgate cover (with the triangle outside and point towards the light-emitting surface).



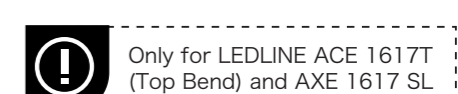
Tighten a set of diagonal screws first.



Then tighten another set of diagonal screws.



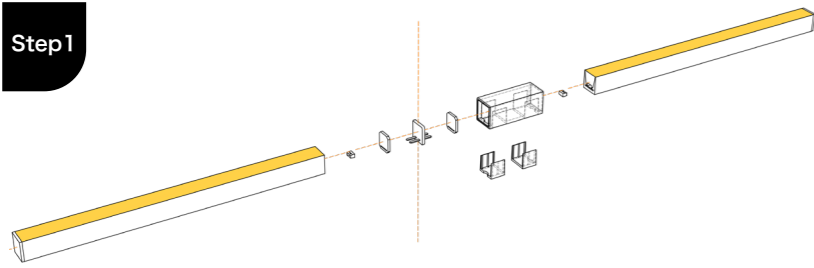
Ensure that the stainless steel cover is installed in place as shown in the diagram.



Only for LEDLINE ACE 1617T (Top Bend) and AXE 1617 SL

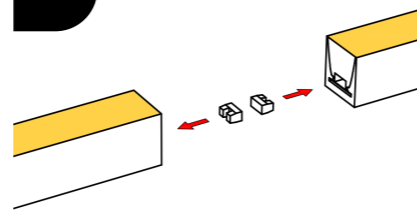
Strip-to-Strip Connector: 1617T-NS-J-2P (IP54)

Step1



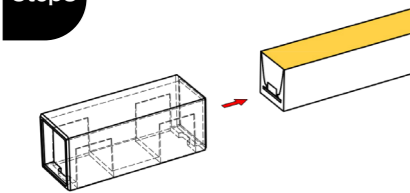
Preparation: Gather all tools and materials (Neon - after cutting).

Step2



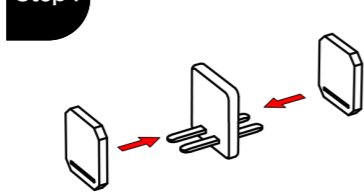
Insert the transparent U-shaped plug into the gap between the two ends of the FPC board and the LED (angled towards the FPC board surface).

Step3



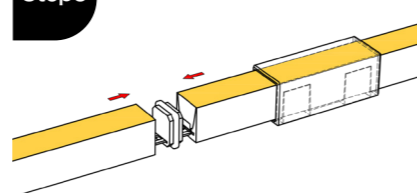
Put the PC shell on either end of the Neon strip (with the notch of the shell facing the back of the light-emitting surface of the Neon strip).

Step4



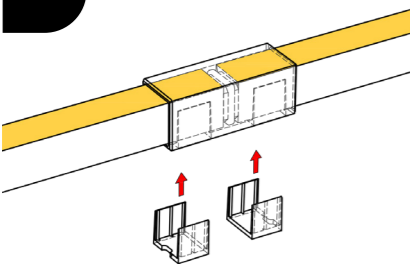
Insert perforated silicone gaskets into the middle connecting terminal from both ends.

Step5



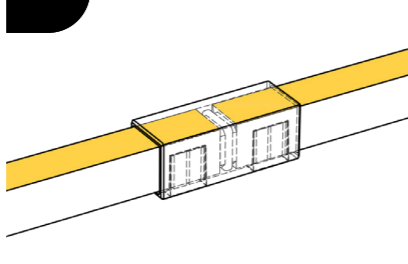
Insert the middle connecting terminals into the back of the FPC board of both ends of the Neon strip (between the copper strip/anti breakage piece and FPCB).

Step6



Push the shell to the center position of the middle connection terminal.

Step7



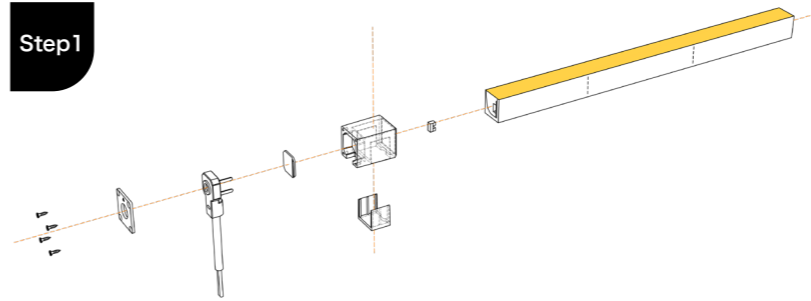
Tighten the Neon strip and insert the U-shaped buckles on the left and rightsides into the corresponding positions (as shown in the figure) to fix the Neon strip.



Only for LEDLINE ACE 1617T (Top Bend) and AXE 1617 SL

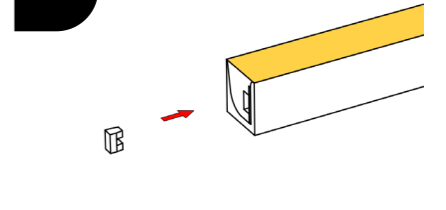
DIY End Cap: 1617S-WS-C-2P-B/L-30 (IP67)

Step1



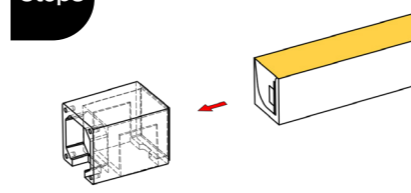
Preparation: Gather all tools and materials (Neon - after cutting).

Step2



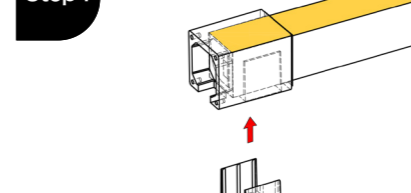
Insert the transparent U-shaped plug into the gap between the FPC board and the LED (angled towards the FPC board surface).

Step3



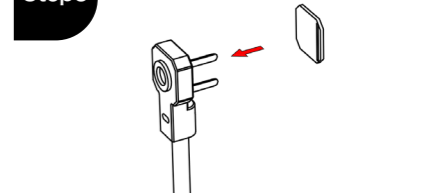
Insert the Neon strip into the PC casing and push the neon strip to the bottom of the PC casing (with the notch facing towards the back of the luminous surface).

Step4



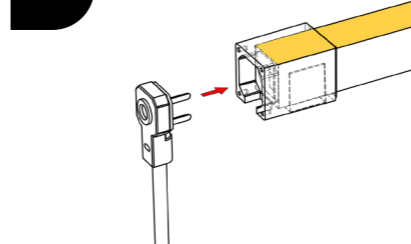
Insert the U-shaped buckle into the corresponding position (as shown in the figure) to secure the Neon strip.

Step5



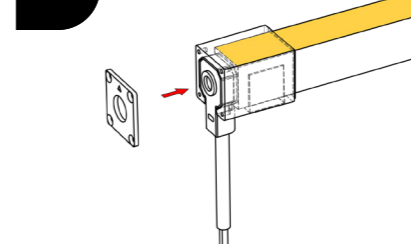
Insert the non porous silicone gasket into the terminal wire.

Step6



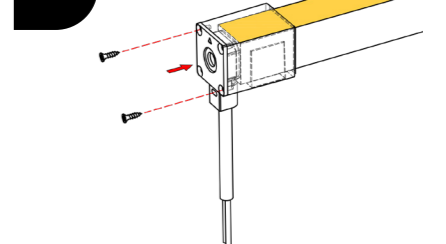
Insert the copper sheet on the terminal wire into the back of the FPC board with your thumb (between the copper strip/anti breakage piece and the FPC B). Then use the wire of this side to connect a DC24V power supply for lighting testing. (Remember not to directly connect the Neon strip to the mains AC110V/AC220V to light it up)

Step7



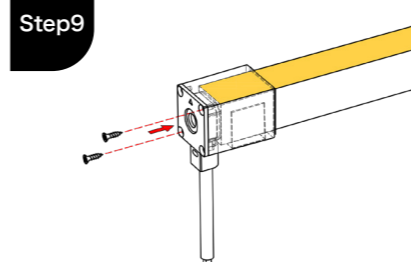
Place the stainless steel cover parallel to the horizontal surface of the transparent tailgate cover (with the triangle outside and point towards the light-emitting surface).

Step8



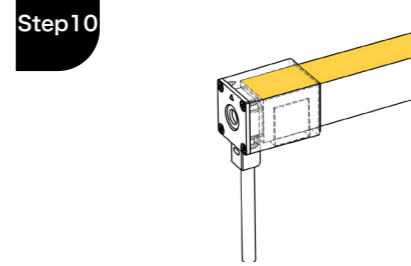
Tighten a set of diagonal screws first.

Step9



Then tighten another set of diagonal screws.

Step10

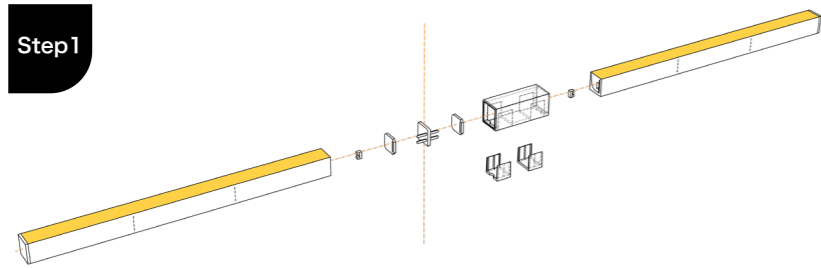


Ensure that the stainless steel cover is installed in place as shown in the diagram.

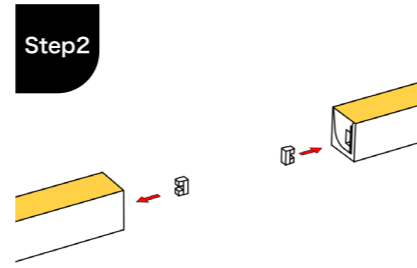


Only for LEDLINE ACE 1617S (Side Bend)

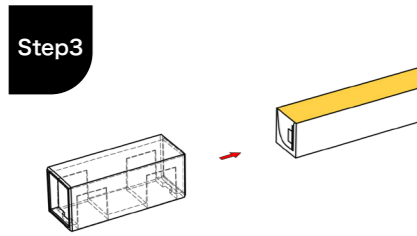
Strip-to-Strip Connector: 1617S-NS-J-2P (IP54)



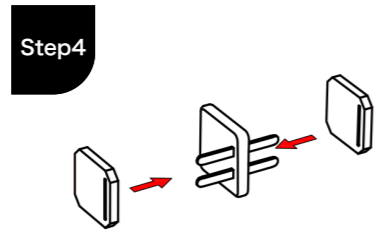
Preparation: Gather all tools and materials (Neon - after cutting).



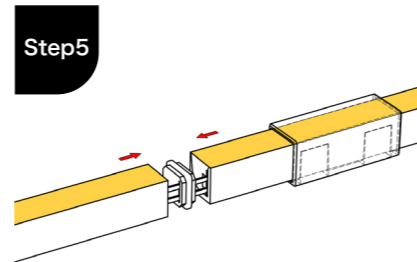
Insert the transparent U-shaped plug into the gap between the two ends of the FPC board and the LED (angled towards the FPC board surface).



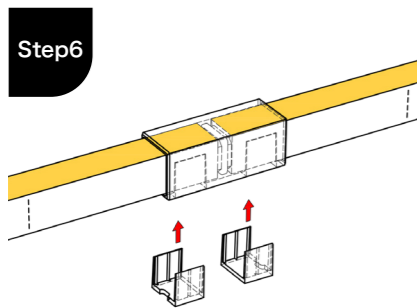
Put the PC shell on either end of the Neon strip (with the notch of the shell facing the back of the light-emitting surface of the Neon strip).



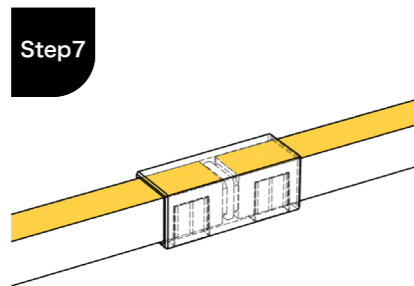
Insert perforated silicone gaskets into the middle connecting terminal from both ends.



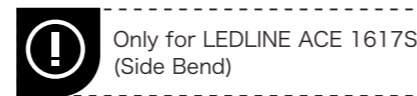
Insert the middle connecting terminals into the back of the FPC board of both ends of the Neon strip (between the copper strip/anti breakage piece and FPCB).



Push the shell to the center position of the middle connection terminal.

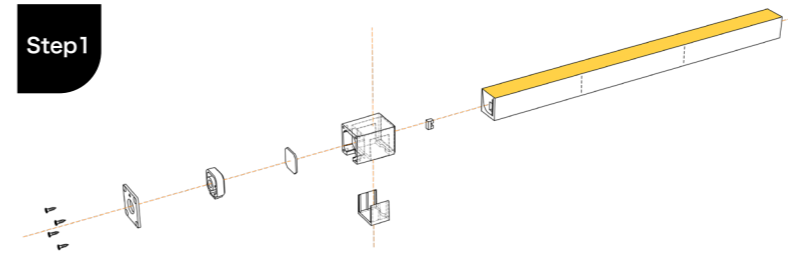


Tighten the Neon strip and insert the U-shaped buckles on the left and rightsides into the corresponding positions (as shown in the figure) to fix the Neon strip.

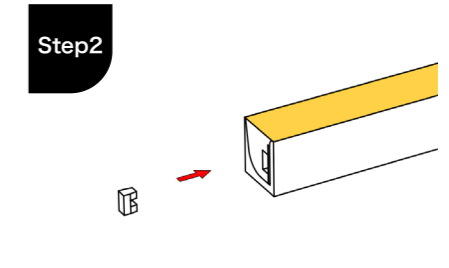


Only for LEDLINE ACE 1617S (Side Bend)

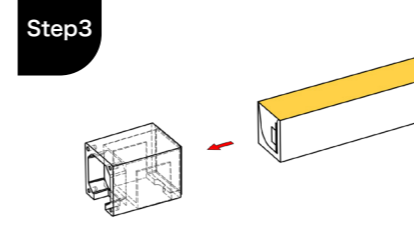
DIY Closed end cap: 1617S-WS (IP67)



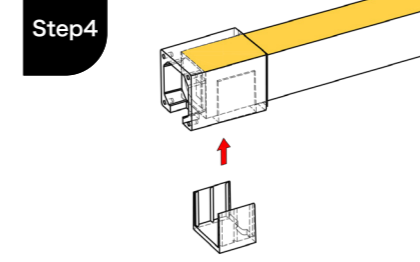
Preparation: Gather all tools and materials (Neon - after cutting).



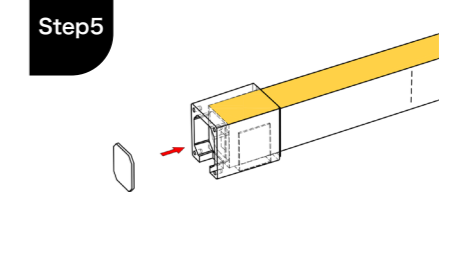
Insert the transparent U-shaped plug into the gap between the FPC board and the LED (angled towards the FPC board surface).



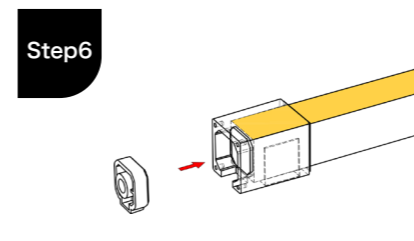
Insert the Neon strip into the PC casing and push the neon strip to the bottom of the PC casing (with the notch facing towards the back of the luminous surface).



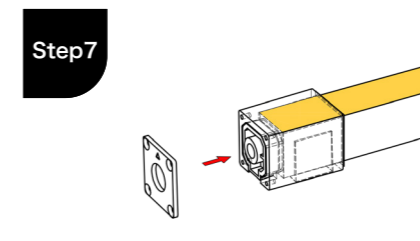
Insert the U-shaped buckle into the corresponding position (as shown in the figure) to secure the Neon strip.



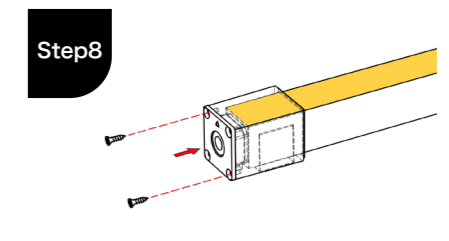
Place the silicone gasket into the PC casing.



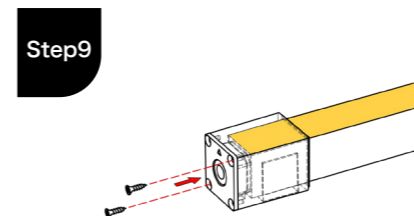
Place the transparent endcap into the PC casing.



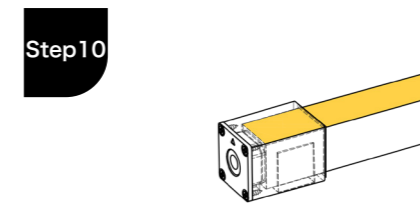
Place the stainless steel cover parallel to the horizontal surface of the transparent tailgate cover (with the triangle outside and point towards the light-emitting surface)



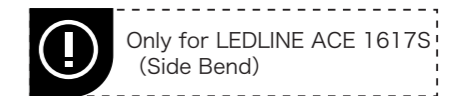
Tighten a set of diagonal screws first



Then tighten another set of diagonal screws.



Ensure that the stainless steel cover is installed in place as shown in the diagram.



Only for LEDLINE ACE 1617S (Side Bend)